

WALL CONTROL INSTALLATION USE AND CARE GUIDE

READ AND SAVE THESE INSTRUCTIONS

Model No.: WDC1200

NOTE: This wall control is designed for DC pull chain fans only.

NOTE: Be sure the light switch of your DC pull chain fan is set at the status of "on" before installing the DC wall control #WDC1200.

SAFETY PRECAUTIONS:

WARNING: HIGH VOLTAGE! Household electrical power can cause serious injury or death. Disconnect the source of electrical power to the ceiling fan by removing the fuse or switching off the circuit breaker.

WARNING: To avoid fire, shock, and serious personal injury, follow all instructions carefully. Read your Owner's Manual carefully before installing the ceiling fan control. Retain Owner's Manual for future reference.

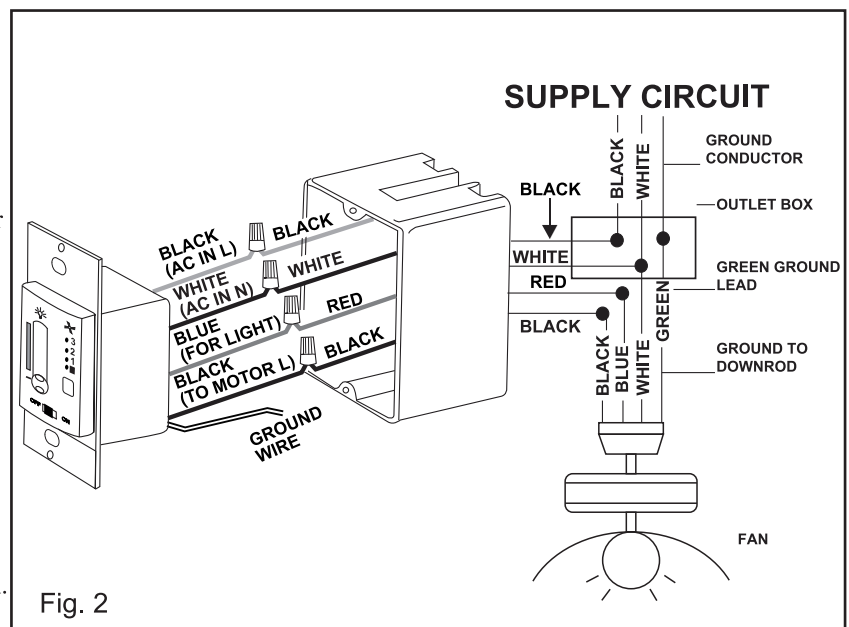
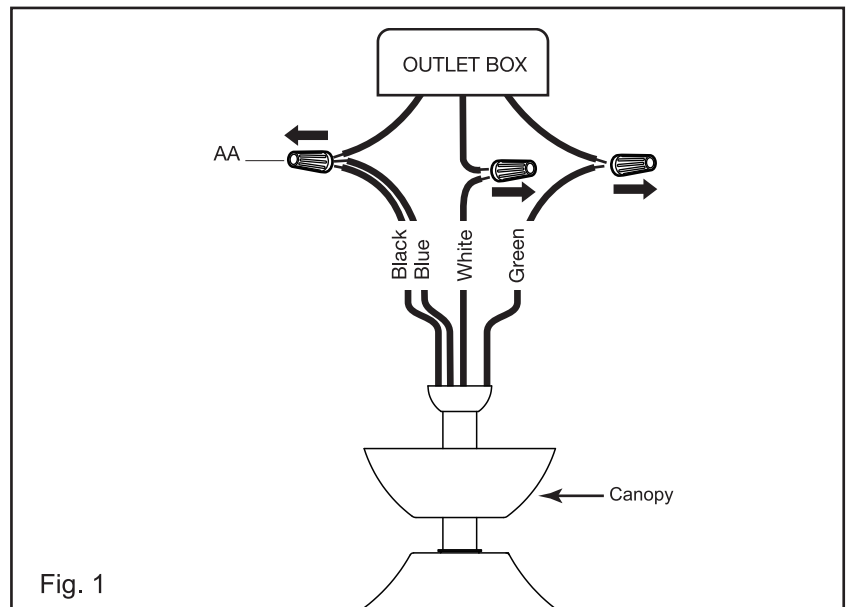
All wiring must conform to National and Local Electrical Codes. If you feel you do not have enough electrical wiring knowledge or experience, have your fan control installed by a licensed electrician. Any electrical work not described in this manual should be performed by a licensed electrician.

ELECTRICAL CONNECTIONS

NOTE: Installation of this fan requires that a three-conductor cable with ground wire be run between ceiling and wall outlet box, or the light kit will not work.

After electricity has been turned off at the main fuse box or circuit breaker panel, remove the existing wall plate and switch.

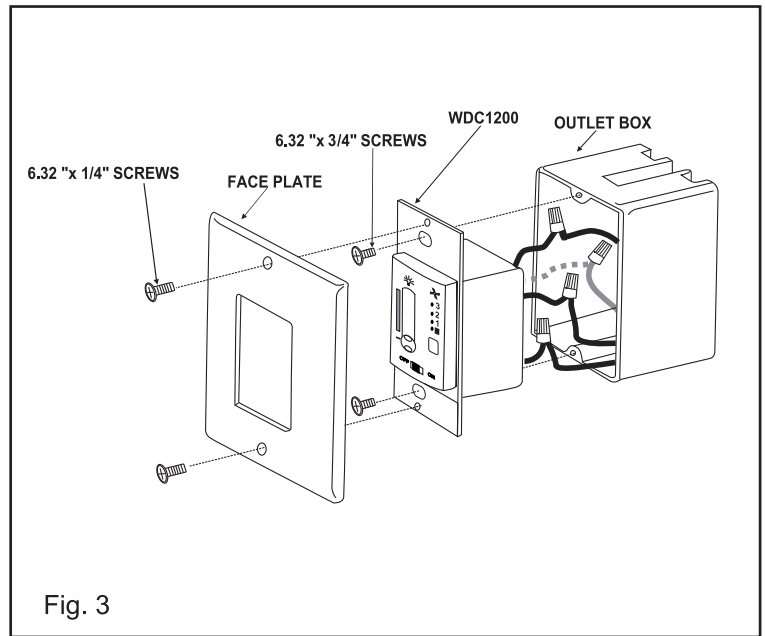
1. Remove the ceiling fan canopy from the hanger bracket.
2. Disconnect the existing wiring between the ceiling fan and supply at the electrical junction box. (Fig. 1)
3. Make the connections as follows, using the wire nuts supplied: (Fig. 2)
 - a. Set the slide to "OFF" so that the power of wall control is turned off. (Fig.2)
 - b. Make wire connections (Fig.2) and secure with wire nuts supplied.
 - Black wire from fan to black wire marked "To motor L" from speed control.
 - Black wire marked "AC in L" from speed control to black wire from the A/C supply source.
 - White wire marked "AC in N" from speed control to white wire from the A/C supply source.
 - White wire from fan to white wire from the A/C supply source.
 - Blue wire from fan to blue wire marked "for light" from light control through a red wire which is shown in Fig.2, The red wire may be a different color depending on your location if your unsure please consult with a qualify electrician.
 - Connect the fan ground wire (green) to the household ground wire.
4. Push all connected wires up into junction box.
5. Reinstall the canopy on the hanger bracket.
6. Carefully tuck the wire connections inside the outlet box.




INSTALLING THE WALL CONTROL

Remember to shut the power off at the circuit breaker or fuse box.

- (Fig. 3) Carefully tuck the wire connections inside the outlet box. Secure the wall control with the two screws provided.
- Secure the WDC1200 wall control to the outlet box using the two 6-32" x 3/4" screws provided.
- Secure the face plate over the WDC1200 wall control with the two 6-32" x 1/4" screws provided.



OPERATING THE WALL CONTROL

Fan button  :
sets the fan speed

■: fan off

1: High Speed

2: Medium Speed

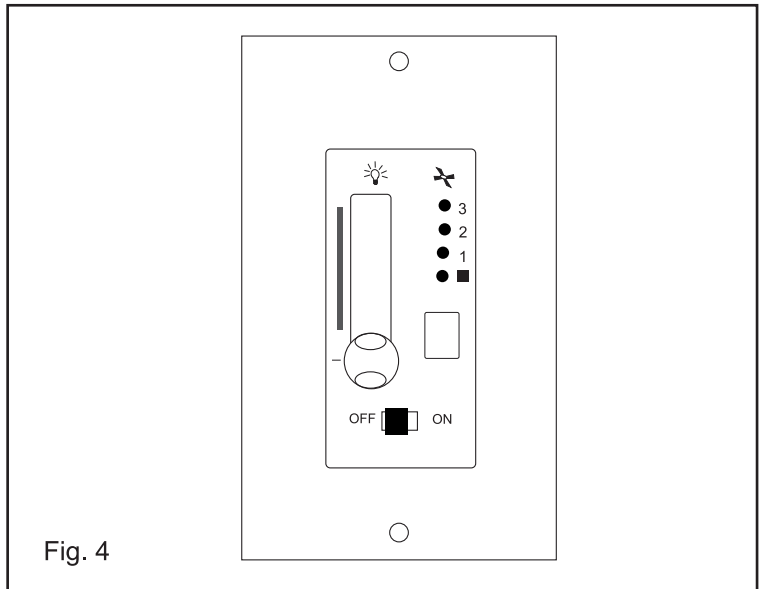
3: Low Speed

The green LED indicator will denote the status.

Light slide button  :
change the light from off to desired brightness

OFF-ON Slide Button OFF  ON :

This button turns the power Off and On to the wall control. It will continue to retain the last status even when the wall control power is off. For example, when the fan is at medium speed and light is on, if you slide the button to "OFF", the fan and light will be turned off together. And when you slide the button to "ON", It will retain the last status : fan at Medium speed, Light turn on.



TROUBLE SHOOTING

1. Fails to operate:
 - a. Check circuit fuses or breakers.
 - b. Check to make sure the power for this wall control is turned on.
 - c. Check to make sure the fan is wired correctly.
 - d. Make sure the light switch of fan is set at the status of "on".

NOTICE!

Your ceiling fan and light kit assembly must meet the following requirements:

1. Electrical rating: 120V 60Hz 3.25A
MAX. motor amp: 0.5A
MAX: LED lamp watt 60W
2. Indoor use only