

WARNING! SHUT POWER OFF AT FUSE OR CIRCUIT BREAKER

Note: the WCS213 Aire control system is equipped with learning frequency function which has a 256 code combination to prevent potential interference from other remote units, the frequency on the receiver and transmitter unit have been preset at the factory. (FIG 1) No frequency change is necessary, should you desire to install another Minka Aire fan within the same home or area with a separate frequency code. Go to section 3."CREATING A UNIQUE FREQUENCY".

Safety Precautions:

WARNING: Disconnect source of electrical power by removing the fuse or switching off circuit breakers.

- Do not use with solid state fans.
- Electrical wiring must meet all local and national electrical code requirements.
- Electrical source and fan must be 115/120 volts, 60 hz.
- Maximum fan motor amps 1.5. Maximum light watts 190-incandescent only.

1. WALL TRANSMITTER INSTALLATION

WARNING! HOOK UP "IN SERIES" ONLY. DO NOT CONNECT NEUTRAL SUPPLY WIRE OF ELECTRIC CIRCUIT TO THE TRANSMITTER WALL SWITCH, DAMAGE TO THE TRANSMITTER WALL SWITCH AND POSSIBLE FIRE COULD OCCUR.

Step 1. Remove the existing wall plate and switch from the wall outlet box.

Step 2. Make the electrical connections as shown in Fig.2. If your outlet box has a ground wire (Green or Bare Copper) connect the Wall Transmitter's ground wire to it. Otherwise connect the Wall Transmitter's wire directly to one of the screws from the outlet box . Secure all wire connections with the plastic wire nuts provided.

Step 3. Carefully tuck the wire connections inside the outlet box. Use the screws provided to secure the wall transmitter and wall plate to the outlet box. (Fig. 3)

Step 4. Turn the power ON. Note: After the AC power is on. Do NOT press any other buttons on the transmitter before pressing the "stop" button; doing so will cause the procedure to fail.

Step 5. Within 60 seconds of turning the fans AC power on. Press the transmitter's "stop" button and hold for 3 seconds.

Step 6. Once the receiver has detected the factory set frequency, the down light will blink twice. This will indicate the receiver has learned the frequency previously selected for the transmitter.

After completing the steps above, you should be able to operate the ceiling fan. If the fan does not respond to the fan. Please turn off the power to the receiver and repeat step 4,5 and 6.

2. OPERATING THE WALL TRANSMITTER

The WCS213 Touch Control™ System includes two sets of face and decorative plate color options. The wall control comes with a standard white faceplate attached. If you desire to replace it with the Ivory color faceplate, use a small flat screw driver and gently pry it apart from the top or bottom of the plate.

1. Light Button:

Press and release the button to turn the light ON or OFF. Press and hold the button to set the desired light brightness. The light will cycle between bright and dim settings as long as the button is pressed. The light key has an automatic auto-resume feature that allows the light to remain at the same brightness as the last time it was turned off. The Up-light button applies to ceiling fans that feature an Up-light only.

2. Speed Buttons

Press and release the button for the desired speed.

3. Stop Button

This button stops the fan

4. On-OFF

This button turns the power off for the fan and light.

The installation of your new WCS213 Touch Control System is complete.

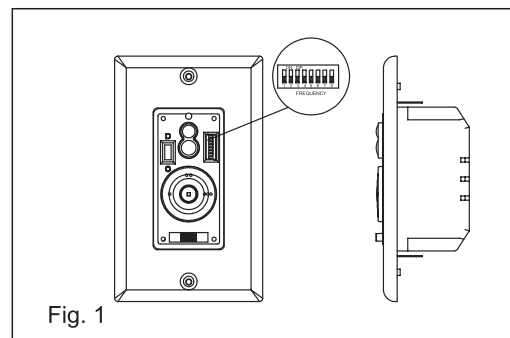


Fig. 1

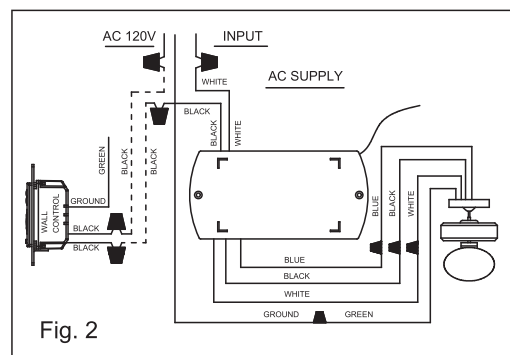


Fig. 2

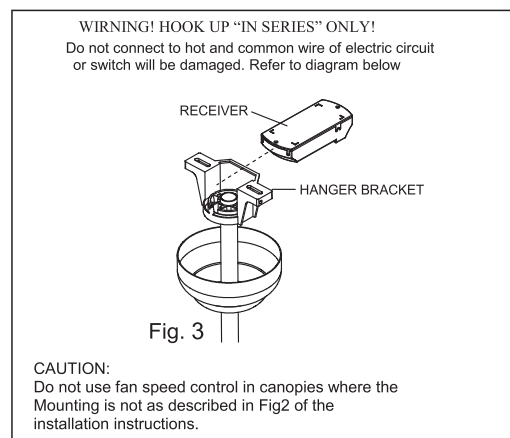


Fig. 3

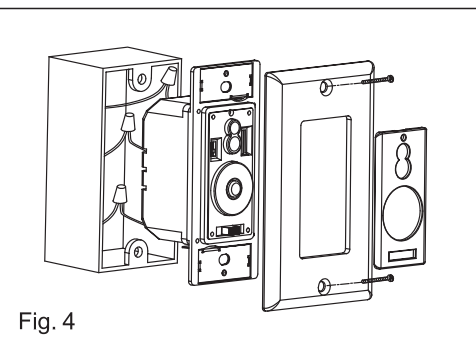


Fig. 4

3. CREATING A UNIQUE FREQUENCY

1. Turn the power off to your ceiling fan.
2. Use a small flat head screw driver and gently pry apart the decorative face plate from transmitter.
3. Set to the desired settings and re-attach the face plate to the transmitter.
4. Return power. Note: After the AC power is on. Do NOT press any other buttons on the transmitter before pressing the "stop" button; doing so will cause the procedure to fail.
5. Within 60 seconds of turning the fans AC power on. Press the transmitter's "stop" button and hold for 3 seconds.
6. Once the receiver has detected the new set frequency, the down light will blink twice.
7. The receiver has now learned the frequency which has been selected on the transmitter.

After completing the steps above you should be able to operate your ceiling fan and light. If the fan is not responding to the transmitter. Please turn the power off to the receiver and repeat the process.

NOTICE!

CAUTION:
Ceiling Angle shall Not Exceed 21 Degrees, For Mounting controller. Models MR36T

This product is protected by United States Federal and/or State Law, including Patent, Trademark and/or Copyright laws
Manual design and all elements of manual design are protected by U.S. Federal and/or State Law, including Patent, Trademark and/or Copyright laws.

