

INSTALLATION INSTRUCTIONS FOR P8156-681

WARNING! SHUT POWER OFF AT FUSE OR CIRCUIT BREAKER.
AVERTISSEMENT ! COUPER LE COURANT AU NIVEAU DES FUSIBLES OU DO DISJONCTEUR

PREPARING FOR INSTALLATION (Fig. 1)

1. Shut off power at the fuse box or circuit breaker box and remove the old fixture including the mounting hardware.
2. Carefully unpack your new fixture and lay out all the parts in a clear area. Take care not to misplace any small parts necessary for installation.

SUGGESTED INSTALLATION (Fig. 1 and Fig. 2)

3. Remove the two mounting screws (F) from the side of the canopy and remove the mounting plate (B).
4. Attach the mounting plate (B) to the junction box (A) (Not included) with the two outlet box screws (C) provided.

CONNECTING THE WIRES (Fig. 2)

5. Connect the electrical wires as shown in Fig. 2, making sure that all wire connectors are secured. If your outlet has a ground wire (green or bare copper), connect the fixture's ground wire to it. Otherwise, connect the fixture's ground wire directly to the mounting plate (B) using the green screw provided. Tuck the wire connections neatly into the junction box.

COMPLETING THE INSTALLATION (Fig. 1)

6. Attach the fixture (G) to the mounting plate (B) and secure it with the screws (F).
7. Install the 6*40W Xenon bulb (J) (included) or LED equivalent in accordance with the fixture's specifications. **(DO NOT EXCEED THE MAXIMUM WATTAGE RATING!)** Place glass shade (H) over the socket and twist to secure it to the socket cup. Don't over tighten.
8. Rotate the light arm (R) clockwise, about 30° to the level, and rotate the light arm (S) counterclockwise, about 60° to the level, then rotate the light arm (T) counterclockwise, about 90° to the level.

Your installation is now complete. Return power to the junction box and test the fixture.

Fig.1

Set# : A-021-114D for P8156-681

- Mounting plate (B)
- Ground screw (E)
- Outlet box screws*2pcs (C)

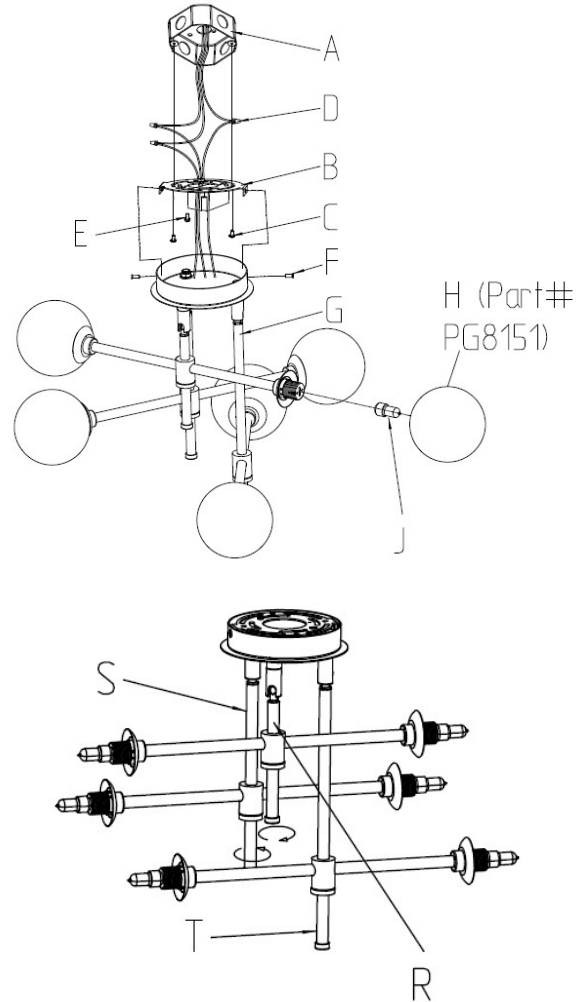


Fig. 2

