

INSTALLATION INSTRUCTIONS

For P5481/2/3-66A-L

WARNING! SHUT POWER OFF AT FUSE OR CIRCUIT BREAKER.

AVERTISSEMENT! COUPER LE COURANT AU NIVEAU DES FUSIBLES OU DU DISJONCTEUR.

MOUNTING THE FIXTURE (Fig. 1)

1. Shut off power at the fuse box or circuit breaker box and remove the old fixture including the mounting hardware.
2. Carefully unpack your new fixture from carton and check that all parts are included as shown in illustration.
3. Loose three screws (E) on key holes (Do not remove), then separate mounting plate (B) from canopy (A).
4. Attach mounting plate (B) to junction box (F) (not included) using mounting screws (D) (Size: #8-32*1/2"L). The side of mounting plate marked "GND" must face out.
5. Determine desired hanging height by pressing wire strainer (G). Pass wires carefully through canopy (A).

CONNECTION THE WIRES (Fig. 2)

6. Connect the electrical wires as shown in Fig. 2, making sure that all wire connectors are secured. If your junction box has a ground wire (green or bare copper), connect the fixture's ground wire to it. Otherwise, connect the fixture's ground wire directly to the mounting plate (B) using the ground screw provided.
7. Tuck wire connectors neatly into the junction box.

FINISHING THE INSTALLATION (Fig. 1)

8. Align canopy (A) to mounting plate (B), place key holes of canopy (A) over the three screws (E) previously loosened, turn canopy (A) until it locks in place on key holes, then secure by tightening the three screws (E) previously loosened.

Your installation is now complete. Return power to the junction box and test the fixture.

CAUTION / ATTENTION: When handling the fixture, do not apply pressure to the LEDs. Hold the fixture by the base or fixture body only.

Dimmable with ELV and/or LED compatible dimmer switch.

Fig. 1

Mounting Plate Set #:

A-021-175DA for P5481/2/3-66A-L

- Mounting plate (B)
- Ground screw
- Mounting screw*2 (D)

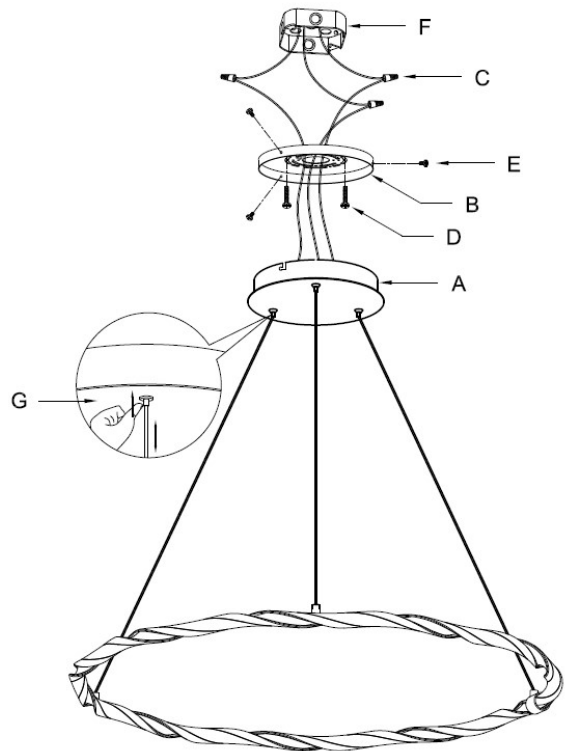
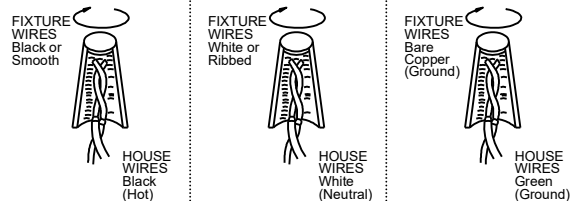


Fig. 2



IMPORTANT: Fixture should be installed by a qualified electrician to ensure proper wiring and installation.