

# INSTALLATION INSTRUCTIONS

For P1970-066-L/P1971-066-L/P1972-066-L

**WARNING! SHUT POWER OFF AT FUSE OR CIRCUIT BREAKER.**

**AVERTISSEMENT! COUPER LE COURANT AU NIVEAU DES FUSIBLES OU DU DISJONCTEUR.**

## MOUNTING THE FIXTURE (Fig. 1)

1. Shut off power at the fuse box or circuit breaker box and remove the old fixture including the mounting hardware.
2. Carefully unpack your new fixture from carton and check that all parts are included as shown in illustration.
3. Loosen mounting screws (D) to remove mounting plate (C) from canopy (H).
4. Attach mounting plate (C) to junction box (A) (not included) using outlet box screws (F) (Size: #8-32 1-1/4"L). The side of mounting plate marked "GND" must face out.

## CONNECTION THE WIRES (Fig. 2)

5. Connect the electrical wires as shown in Fig. 2, making sure that all wire connectors are secured. If your outlet has a ground wire (green or bare copper), connect the fixture's ground wire to it. Otherwise, connect the fixture's ground wire directly to the mounting plate (C) using the ground screw (E) provided.
6. Tuck wire connectors neatly into the junction box.

## FINISHING THE INSTALLATION (Fig. 1)

7. Align canopy (H) of fixture (J) to mounting plate (C) and secure with mounting screws (D).
8. Adjust the length of cable (I) by pushing wire strainer on canopy (H) to desired hanging height.

Your installation is now complete. Return power to the junction box and test the fixture.

**CAUTION / ATTENTION:** When handling the fixture, do not apply pressure to the LEDs. Hold the fixture by the base or fixture body only.

**IMPORTANT:** Fixture should be installed by a qualified electrician to ensure proper wiring and installation.

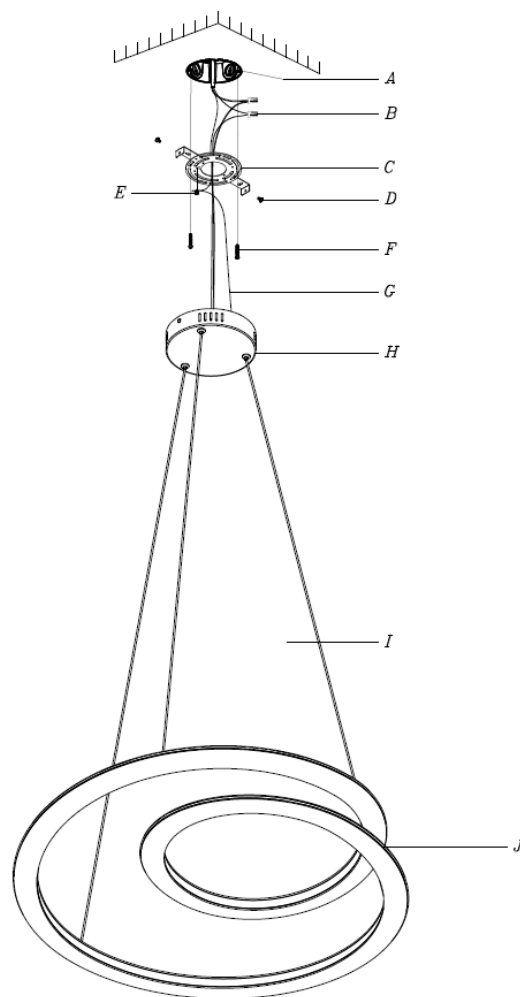
Dimmable with ELV and/or LED compatible wall dimmer switches.

**Fig. 1**

### Mounting Plate Set #:

**P1970-066-L/P1971-066-L/P1972-066-L**

- Mounting plate (C)
- Ground screw (E)
- Outlet box screw\*2 (F)



**Fig. 2**

