

INSTALLATION INSTRUCTION

For # P1950-66A-L

WARNING! SHUT POWER OFF AT FUSE OR CIRCUIT BREAKER.
AVERTISSEMENT! COUPER LE COURANT AU NIVEAU DES FUSIBLES OU DU DISJONCTEUR.

MOUNTING THE FIXTURE (Fig. 1)

1. Shut off power at the fuse box or circuit breaker box and remove the old fixture including the mounting hardware.
2. Carefully unpack your new fixture from carton and check that all parts are included as shown in illustration.
3. Before installation, please remove S-shaped clasp (G) which is used to protect the cable from scratching when packaged.
4. Loosen mounting screws (F) to separate mounting plate (A) from canopy (D).
5. Position the mounting plate (A) on the ceiling and mark location of the three mounting holes. Drill the holes on ceiling and insert plastic anchor (I).
6. Attach mounting plate (A) onto junction box (Not included) on the ceiling by using outlet box screws (E) (Size: #8-32*1-1/4L) and wood screws (H) into plastic anchors (I). The side of mounting plate marked "GND" must face out.

CONNECTION THE WIRES (Fig. 2)

7. Connect the electrical wires as shown in Fig. 2, making sure that all wire connectors are secured. If your outlet has a ground wire (green or bare copper), connect fixture's ground wire to it. Otherwise, connect fixture's ground wire directly to mounting plate (A) using ground screw (C) provided.
8. Tuck wire connectors neatly into the junction box.

FINISHING THE INSTALLATION (Fig. 1)

9. Align canopy (D) onto mounting plate (A) and secure with mounting screws (F).
 10. Adjust the length of cable by pushing or pulling fixture body to desired hanging height.
- You can rotate the lamp shade as desired direction.
- You can also grab the tube, and yoyo the lamp up and down. The maximum travel height is about 83-1/8", and the minimum travel height is about 18".

Your installation is now complete. Return power to the junction box and test the fixture.

CAUTION / ATTENTION: When handling the fixture, do not apply pressure to the LEDs. Hold the fixture by the base or fixture body only.

IMPORTANT: Fixture should be installed by a qualified electrician to ensure proper wiring and installation.

Dimmable with ELV and/or LED compatible wall dimmer switches.

Fig. 1

Mounting Plate Set #: A-020-194

- Mounting Plate (A)
- Ground Screw (C)
- Outlet Box Screw (E)
- Wood Screws (H)
- Mounting Screws (F)
- Plastic Anchors (I)

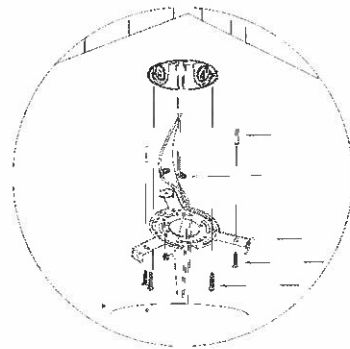
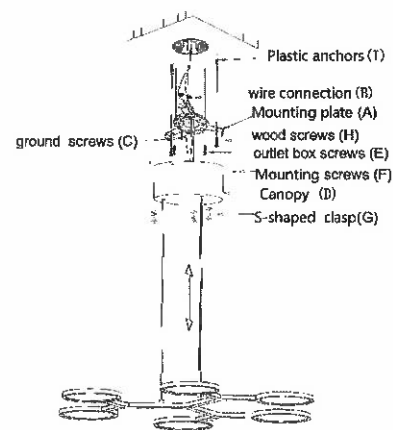


Fig. 2

