

Installation Instruction

For Table Lamp
Model#P1933-66A-L#P1933-771-L

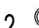
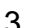
WARNING

- Risk of shock, do not plug in the unit before assembly is complete.
- Do not exceed the maximum wattage rating.
(Ne pas dépasser la puissance nominale maximale!)
- Before turning on, please follow the instruction manual step by step.

INSTALLATION

1. Carefully unpack your new lamp and place it on a smooth flat surface to protect the finish.
2. Adjust the lamp body to desired location.
3. Connect the Type C cable of adapter into the interface of lamp base.
4. Plug the adapter into the wall outlet and test the new lamp.

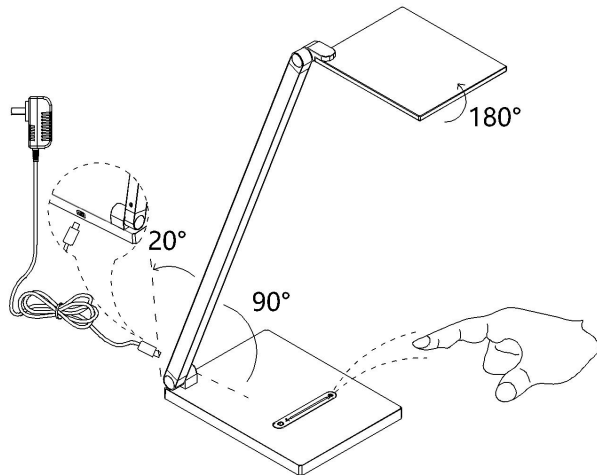
FUNCTIONAL DESCRIPTION

1. This lamp uses a touch dimmer switch on surface of base to adjust brightness.
2.  Turn on or turn off the lamp
3.  * Adjust brightness
4. This switch has an auto-resume feature when power on, it will stay at the same brightness as the last time it was turn off.

IMPORTANT SAFETY INSTRUCTIONS

- Never use with an extension cord unless the plug can be fully inserted.
- Do not change or alter.

MADE IN CHINA



Approved 4/15/24

Marisela Ochoa

**IMPORTANT: FIXTURE SHOULD BE INSTALLED BY
A QUALIFIED ELECTRICIAN TO ENSURE PROPER
WIRING AND INSTALLATION.**