

Installation Instruction

For Table Lamp

Model#P1932-66A-L

WARNING

- Risk of shock, do not plug in the unit before assembly is complete.
- Do not exceed the maximum wattage rating.
(Ne pas dépasser la puissance nominale maximale!)
- Before turning on, please follow the instruction manual step by step.

INSTALLATION

1. Carefully unpack your new lamp and place it on a smooth flat surface to protect the finish.
2. Plug the adapter into the lamp body.
3. Adjust the shade location as desired, plug the adapter into the wall outlet and test the new lamp.

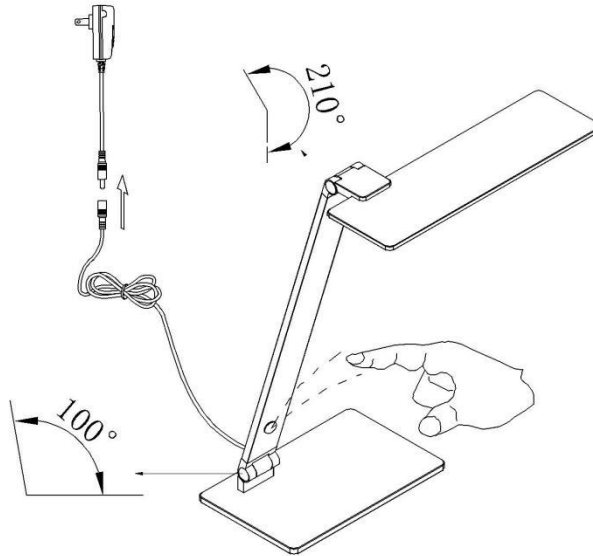
FUNCTIONAL DESCRIPTION

1. This lamp uses a touch dimmer switch on tube with 3 different brightness settings:
 - 1st touch: On / 20% brightness
 - 2nd touch: 50% brightness
 - 3rd touch: 100% brightness
 - 4th touch: Off
2. This switch has an auto-resume feature when power off, it will stay at the same brightness as the last time it was turn off.

IMPORTANT SAFETY INSTRUCTIONS

- Never use with an extension cord unless the plug can be fully inserted.
- Do not change or alter.

MADE IN CHINA



**IMPORTANT: FIXTURE SHOULD BE INSTALLED BY
A QUALIFIED ELECTRICIAN TO ENSURE PROPER
WIRING AND INSTALLATION.**