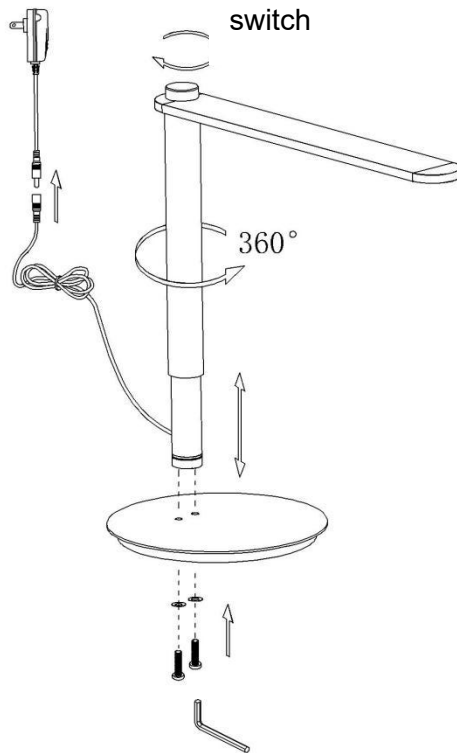


Installation Instruction

For Table Lamp

Model#P1930-896-L



WARNING

- Risk of shock, do not plug in the unit before assembly is complete.
- Do not exceed the maximum wattage rating.
(Ne pas dépasser la puissance nominale maximale!)
- Before turning on, please follow the instruction manual step by step.

INSTALLATION

1. Carefully unpack your new lamp and place all parts on a smooth flat surface to protect the finish until ready to install.
2. Vertically connect the lamp body to the base, tighten with screws and lock washers using wrench included.
3. Adjust the lamp pole to desired height and direction.
4. Connect the adapter male DC into the lamp body of the female DC plug.
5. Plug the adapter into the wall outlet and test the new lamp.

FUNCTIONAL DESCRIPTION

This lamp uses a rotary switch on top of the lamp pole to adjust the brightness.

Turn the switch on clockwise: Turn on the light and adjust brightness low to high in stepless way.

Turn the switch on counterclockwise: Adjust brightness high to low in stepless way and turn off the light.

IMPORTANT SAFETY INSTRUCTIONS

- Never use with an extension cord unless the plug can be fully inserted.
- Do not change or alter.



MADE IN CHINA



IMPORTANT: FIXTURE SHOULD BE INSTALLED BY A QUALIFIED ELECTRICIAN TO ENSURE PROPER WIRING AND INSTALLATION.