

Installation Instruction

For Table Lamp
Model#P1851-66A-L

WARNING

- Risk of shock, do not plug in the unit before assembly is complete.
- Do not exceed the maximum wattage rating.
(Ne pas dépasser la puissance nominale maximale!)
- Before turning on, please follow the instruction manual step by step.

INSTALLATION

1. Carefully unpack your new lamp and place all parts on a smooth, flat surface to protect the finish until ready to install.
2. Plug adapter male DC into lamp body of female DC plug.
3. Adjust lamp shade location as desired, plug adapter into socket and test the new lamp.

FUNCTIONAL DESCRIPTION

Please touch button on lamp shade to control the light as below.

1. A short touch (<0.5 sec.): Turns on the lamp, to change color temperature of light to 3000K-4000K-4500K-6000K.
2. A long touch (> 0.5 sec.): Light adjust from 100% to 20% and vice versa.
3. Two short touches: Turns off the lamp.

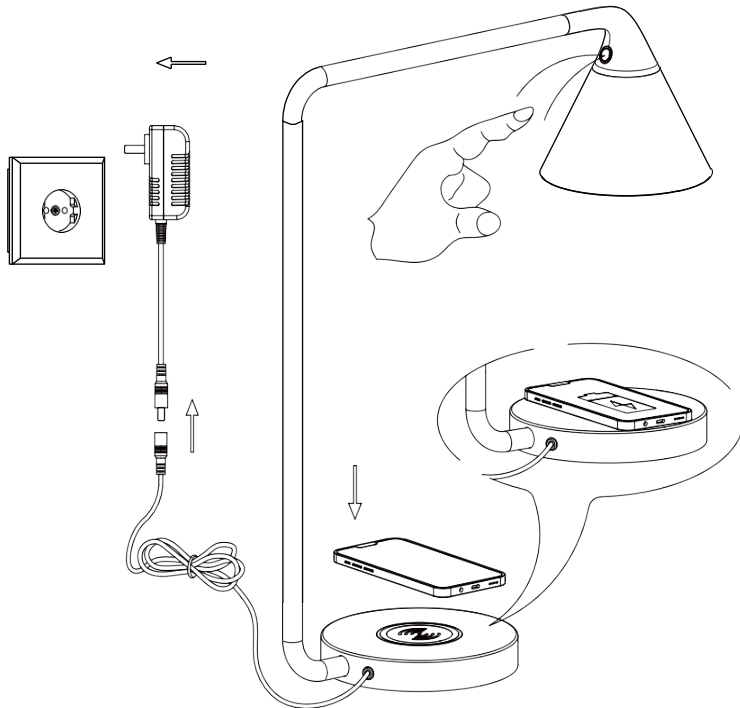
This switch has an auto-resume feature when power off, it will stay at the same brightness as the last time it was turn off.

This lamp has a wireless charger device which can charge mobile phones or other compatible electronic devices. Spec for wireless charger is 5V/1A.

IMPORTANT SAFETY INSTRUCTIONS

- Never use with an extension cord unless the plug can be fully inserted.
- Do not change or alter.

MADE IN CHINA



WIRING AND INSTALLATION.