

Installation Instruction

For Floor Lamp
Model#P1660-66F-L

WARNING

- Risk of shock, do not plug in the unit before assembly is complete.
- Do not exceed the maximum wattage rating.
(Ne pas dépasser la puissance nominale maximale!)
- Before turning on, please follow the instruction manual step by step.

INSTALLATION

1. Carefully unpack your new lamp and place all parts on a smooth flat surface to protect the finish until ready to install.
2. Vertically connect tube (A) to base (B) and tighten with screws (C) using wrench (G) provided.
3. Loosen screw (J) with wrench (H) provided and remove end cap (F) from tube (D). Insert tube (D) into the sliding holder (E), and then insert end cap (F) back into tube (D), secure with screw (J) using wrench (H).
4. Plug DC male adapter into lamp body of DC female plug.
5. Slide balance part (K) up and down to the desired height of tube (D). Slide tube (D) horizontally to desired position.
6. Rotate tube (A) to desired position.
7. Plug adapter into socket and test the new lamp.

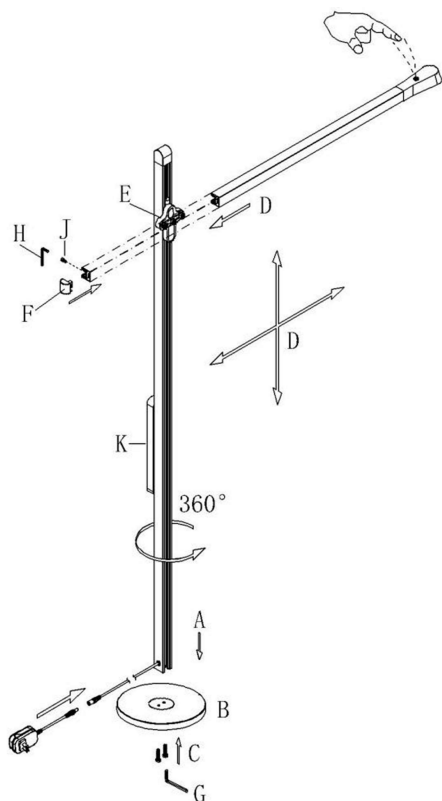
FUNCTIONAL DESCRIPTION

1. This lamp uses a touch dimmer switch on top of the lamp shade to adjust the brightness in 3 steps.
1st touch: On / 20% brightness
2nd touch: 50% brightness
3rd touch: 100% brightness
4th touch: Off
2. This switch has an auto-resume feature when power on, it will stay at the same brightness as the last time it was turn off.

IMPORTANT SAFETY INSTRUCTIONS

- Never use with an extension cord unless the plug can be fully inserted.
- Do not change or alter.

MADE IN CHINA



**IMPORTANT: FIXTURE SHOULD BE INSTALLED BY
A QUALIFIED ELECTRICIAN TO ENSURE PROPER
WIRING AND INSTALLATION.**