

INSTALLATION INSTRUCTIONS

For P1538-066-L

WARNING! SHUT POWER OFF AT FUSE OR CIRCUIT BREAKER.

AVERTISSEMENT! COUPER LE COURANT AU NIVEAU DES FUSIBLES OU DU DISJONCTEUR.

MOUNTING THE FIXTURE (Fig. 1)

1. Shut off power at the fuse box or circuit breaker box. If necessary, remove the existing fixture and its mounting hardware.
2. Carefully remove the new fixture from the carton and check that all parts are included as shown in the illustration.
3. Loosen screws (E) to remove mounting plate (B) from canopy (D). Positioning mounting plate (B) on ceiling and mark location of the two mounting holes for plastic anchors (C2). Drill the appropriate size holes on ceiling and insert plastic anchors (C2).
4. Attach mounting plate (B) to junction box (H) (Not included) using mounting screws (C) (Size: #8-32*1/2"L). The side of mounting plate marked "GND" must face out.
5. Secure mounting plate (B) with wood screw (C1) through holes on mounting plate into plastic anchors (C2).
6. Loosen hex nuts (J) on canopy (D) and remove lock washers (I), support cable (K), canopy (D), then loosen hex nuts (J) on decorative metal box (D1) and remove lock washers (I), decorative metal box (D1) and swivels (D2).
7. Determine desired hanging height and thread rods (F1, F2, F3) to all thread on top of fixture body (G). Note: Remove all thread if installing with one 6" rod only. Then secure swivels (D2) onto rods (F3). Carefully pass the wires through each rod and swivel during assembly.
8. Attach decorative metal box (D1) to swivels (D2), follow by lock washers (I) and secure with hex nuts (J), then attach canopy (D) to all thread of swivels (D2), follow by cable (K), lock washers (I) and secure with hex nuts (J).
9. There's one driver inside canopy, connect driver output wire to LED wire as listed below. Secure with wire connectors (F).
 - Red driver output wire (labeled Output1+) to red LED wire (labeled LED1+)
 - Black driver output wire (labeled Output1-) to black LED wire (labeled LED1-)
10. The support cable is provided to support the weight of the fixture while wiring. Align fixture to mounting plate (B) and attach hook on the end of support cable into a slot located on mounting plate (B). Carefully allow support cable to support the weight of the fixture while wiring.

CONNECTION THE WIRES (Fig. 2)

11. Connect the electrical wires as shown in Fig. 2, making sure that all wire connectors are secured. If your junction box (H) has a ground wire (green or bare copper), connect fixture's ground wire to it. Otherwise, connect fixture's ground wire directly to mounting plate (B) using green screw provided.
12. Tuck wires and connectors carefully into the junction box (H).

FINISHING THE INSTALLATION (Fig. 1)

13. Align canopy (D) to mounting plate (B) and secure with screws (E).
14. Install glass (K) and (K1) into glass holder crisscross. Each lamp arm needs to install 1pc glass (K) and 1pc glass (K2) crisscross to keep the lamp balance.
15. Adjust lamp arms to the desired angle.

Your installation is now complete. Return power to the junction box and test the fixture.

Fig. 1

A-021-320115 for P1538-066-L

- Mounting Plate (B)
- Ground Screw (L)
- Mounting Screws *2 (C)
- Plastic Anchors *2 (C2)
- Wood Screw *2 (C1)

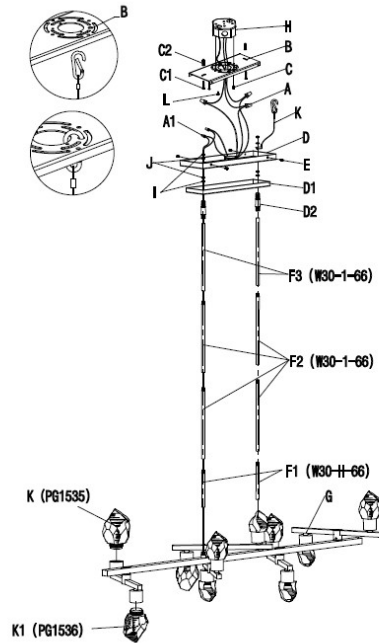
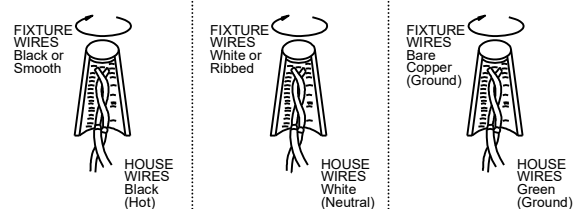


Fig. 2



IMPORTANT: Fixture should be installed by a qualified electrician to ensure proper wiring and installation.

CAUTION/ATTENTION: When handling the fixture, do not apply pressure to the LEDs. Hold the fixture by the base or fixture body only.

Dimmable with ELV and/or LED compatible wall dimmer Switch.

