

INSTALLATION INSTRUCTIONS

For P1536-066-L

WARNING! SHUT POWER OFF AT FUSE OR CIRCUIT BREAKER.
AVERTISSEMENT! COUPER LE COURANT AU NIVEAU DES FUSIBLES OU DU DISJONCTEUR.

MOUNTING THE FIXTURE (Fig. 1)

1. Shut off power at the fuse box or circuit breaker box and remove the old fixture including the mounting hardware.
2. Carefully unpack your new fixture from carton and check that all parts are included as shown in illustration.
3. Attach mounting plate (B) to junction box (H) (Not included) using mounting screws (C) (Size: #8-32*1/2"L). The side of mounting plate marked "GND" must face out.
4. Determine desired hanging height and thread rods (F1, F2, F3) to all thread on fixture body (G). Thread canopy (D) onto rod (F3). Pass wires carefully through each rod and canopy (D).
5. There's one driver inside canopy, connect driver output wire to LED wire as listed below. Secure with wire connectors (A1).

-Red driver output wire (labeled Output1+) to red LED wire (labeled LED1+)

-Black driver output wire (labeled Output1-) to black LED wire (labeled LED1-)

6. The support cable is provided to support the weight of fixture while wiring. Align fixture to mounting plate (B) and attach hook (K) on the end of support cable into a slot located on mounting plate (B). Carefully allow support cable to support the weight of fixture while wiring.

CONNECTION THE WIRES (Fig. 2)

7. Connect the electrical wires as shown in Fig. 2, making sure that all wire connectors are secured. If your outlet has a ground wire (green or bare copper), connect fixture's ground wire to it. Otherwise, connect fixture's ground wire directly to mounting plate using ground screw (J) provided.
8. Tuck wire connectors carefully into the junction box (H).

FINISHING THE INSTALLATION (Fig. 1)

9. Align canopy (D) to mounting plate (B) and secure with screws (E).
10. Install glass (I1) and (I2) into glass holder crisscross. Each lamp arm needs to install 1pc glass (I1) and 1pc glass (I2) crisscross to keep the lamp balance.

Your installation is now complete. Return power to the junction box and test the fixture.

CAUTION / ATTENTION: When handling the fixture, do not apply pressure to the LEDs. Hold the fixture by the base or fixture body only.

IMPORTANT: Fixture should be installed by a qualified electrician to ensure proper wiring and installation.

Dimmable with ELV and/or LED compatible wall dimmer switch.

Fig. 1

Mounting Plate Set #:

A-021-195D for P1536-066-L

- Mounting Plate (B)
- Ground Screw (J)
- Mounting Screw *2 (C)

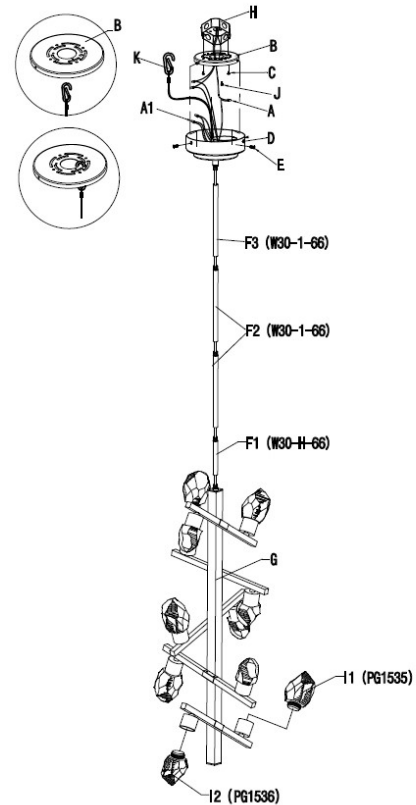


Fig. 2

