

# INSTALLATION INSTRUCTIONS

For P1535-066-L

**WARNING! SHUT POWER OFF AT FUSE OR CIRCUIT BREAKER.**

**AVERTISSEMENT! COUPER LE COURANT AU NIVEAU DES FUSIBLES OU DU DISJONCTEUR.**

## MOUNTING THE FIXTURE (Fig. 1)

1. Shut off power at the fuse box or circuit breaker box. If necessary, remove the existing fixture and its mounting hardware.
2. Carefully remove the new fixture from the carton and check that all parts are included as shown in the illustration.
3. Attach mounting plate (B) to junction box (Not included) using mounting screws (A) (Size: #8-32\*1/2"L). The side of mounting plate marked "GND" must face out.

## CONNECTION THE WIRES (Fig. 2)

4. Connect the electrical wires as shown in Fig. 2, making sure that all wire connectors are secured. If your outlet has a ground wire (green or bare copper), connect fixture's ground wire to it. Otherwise, connect fixture's ground wire directly to mounting plate using green screw (C) provided.
5. Tuck wire connectors carefully into the junction box.

## FINISHING THE INSTALLATION (Fig. 3)

6. Align Fixture (F) to mounting plate (B) and secure with screws (E).
7. Install glass (G) into glass holder.

Your installation is now complete. Return power to the junction box and test the fixture.

**CAUTION / ATTENTION:** When handling the fixture, do not apply pressure to the LEDs. Hold the fixture by the base or fixture body only.

**Dimmable with ELV and/or LED compatible wall dimmer switch.**

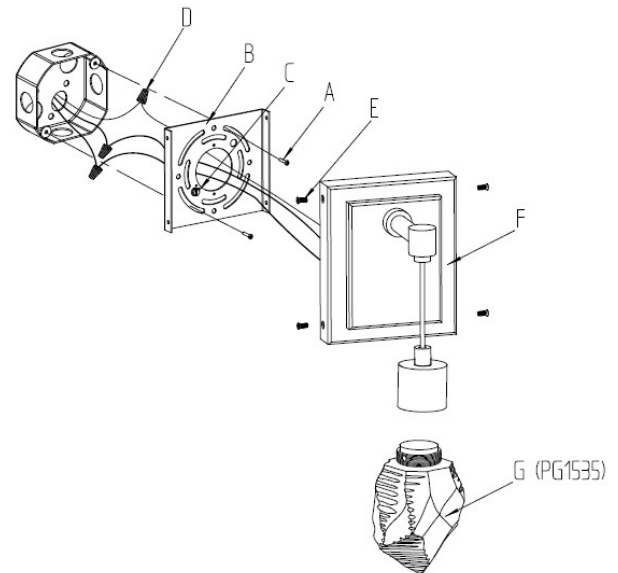
**IMPORTANT:** Fixture should be installed by a qualified electrician to ensure proper wiring and installation.

**Fig. 1**

### Mounting Plate Set #:

**A-021-140120 for P1535-066-L**

- Mounting Plate (B)
- Ground Screw (C)
- Mounting Screw \*2 (A)



**Fig. 2**

