

INSTALLATION INSTRUCTIONS

For P1498-66A-L

WARNING! SHUT POWER OFF AT FUSE OR CIRCUIT BREAKER.

AVERTISSEMENT! COUPER LE COURANT AU NIVEAU DES FUSIBLES OU DU DISJONCTEUR.

MOUNTING THE FIXTURE (Fig. 1)

1. Shut off power at the fuse box or circuit breaker box. If necessary, remove the existing fixture and its mounting hardware.
2. Carefully remove the new fixture from the carton and check that all parts are included as shown in the illustration.
3. Loosen mounting screws (G) to remove mounting plate (C) from canopy (J). Positioning mounting plate (C) on ceiling and mark location of the two mounting holes. Pre-drill holes for plastic anchors (I). Insert plastic anchors (I) into ceiling.
4. Attach mounting plate (C) to outlet box (A) (Not included) using outlet box screws (E) (Size: #8-32*1/2"L). The side of mounting plate marked "GND" must face out.
5. Secure mounting plate (C) by screwing wood screws (L) through holes on mounting plate into plastic anchors (I).
6. Loosen hex nut (S) and washers (T), take out canopy (J) and swivels (V).
7. Determine the desired hanging height and thread rods (K1 and K2) to all thread on top of fixture body (M). Note: Remove all thread if installing with one 6" rod only. Then secure swivels (V) onto rods (K1). Carefully pass wires through each rod (K2 and K1) and swivels (V) during assembly.
8. Align canopy (J) followed by lock washers (T) onto swivels (V) and secure with hex nuts (S).
9. There's one driver inside canopy, connect driver output wire to LED wire as listed below. Secure with wire connectors (F).

-Red driver output wire (labeled Output1+) to red LED wire (labeled LED1+)

-Black driver output wire (labeled Output1-) to black LED wire (labeled LED1-)

10. The support cable (U) is provided to support weight of fixture while wiring. Align fixture to mounting plate (C) and attach hook (D) on the end of support cable into a slot located on mounting plate (C). Carefully allow the support cable to support the weight of the fixture while wiring.

CONNECTION THE WIRES (Fig. 2)

11. Connect the electrical wires as shown in Fig. 2, making sure that all wire connectors are secured. If outlet has a ground wire (green or bare copper), connect fixture's ground wire to it. Otherwise, connect fixture's ground wire directly to mounting plate (C) using ground screw (N) provided.
12. Tuck wire connectors neatly inside outlet box (A).

FINISHING THE INSTALLATION (Fig. 1)

13. Align canopy (J) to mounting plate (C) and secure with mounting screws (G).
14. Place plastic tube (X) inside hole of crystal (P & R), put screw (K) through plastic tube (X). Secure crystal (P & R) with screw (K) into the extrusion crisscross on frame.

Your installation is now complete. Return power to outlet box and test the fixture.

IMPORTANT: Fixture should be installed by a qualified electrician to ensure proper wiring and installation.

CAUTION/ATTENTION: When handling the fixture, do not apply pressure to the LEDs. Hold the fixture by the base or fixture body only.

Dimmable with ELV and/or LED compatible wall dimmer switches.

Fig. 1

A-021-480115 for P1498-66A-L

- Mounting Plate (C)
- Ground Screw (N)
- Outlet Box Screws *2 (E)
- Plastic Anchors* 2 (I)
- Wood Screws *2 (L)

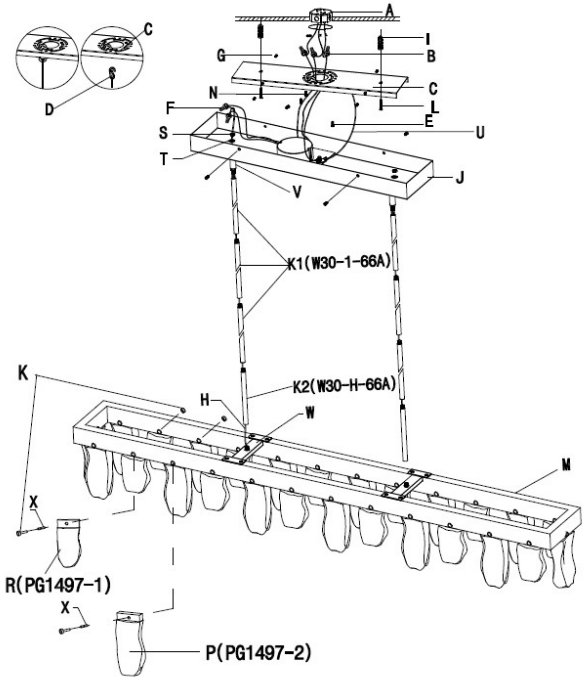


Fig. 2

