

INSTALLATION INSTRUCTIONS

For P1497-66A-L

WARNING! SHUT POWER OFF AT FUSE OR CIRCUIT BREAKER.

AVERTISSEMENT! COUPER LE COURANT AU NIVEAU DES FUSIBLES OU DU DISJONCTEUR.

MOUNTING THE FIXTURE (Fig. 1)

1. Shut off power at the fuse box or circuit breaker box and remove the old fixture including the mounting hardware.
2. Carefully unpack your new fixture from carton and check that all parts are included as shown in illustration.
3. Attach mounting plate (C) to outlet box (A) (Not included) using outlet box screws (F) (Size: #8-32*1/2"L). The side of mounting plate marked "GND" must face out.
4. The support cable (T) is provided to support weight of fixture while wiring. Align fixture to mounting plate (C) and attach hook on the end of support cable (T) into a slot located on mounting plate (C). Carefully allow the support cable (T) to support weight of the fixture while wiring.

CONNECTION THE WIRES (Fig. 2)

5. Connect the electrical wires as shown in Fig. 2, making sure that all wire connectors are secured. If your outlet has a ground wire (green or bare copper), connect fixture's ground wire to it. Otherwise, connect fixture's ground wire directly to mounting plate using ground screw (N) provided.
6. Tuck wire connectors neatly inside outlet box (A).

FINISHING THE INSTALLATION (Fig. 1)

7. Align canopy (J) to mounting plate (C) and secure with mounting screws (K).
8. Adjust the length of cable (O) while pushing on wire strainer to desired hanging height.
9. Place plastic tube (D) inside hole of crystal (P & R), put screw (S) through plastic tube (D). Secure crystal (P & R) with screw (S) into the extrusion crisscross on frame.

Your installation is now complete. Return power to outlet box and test the fixture.

CAUTION / ATTENTION: When handling the fixture, do not apply pressure to the LEDs. Hold the fixture by the base or fixture body only.

IMPORTANT: Fixture should be installed by a qualified electrician to ensure proper wiring and installation.

Dimmable with ELV and/or LED compatible wall dimmer switches.

Fig. 1

Mounting Plate Set #:

A-021-153D for P1497-66A-L

- Mounting Plate (C)
- Ground Screw (N)
- Outlet Box Screw *2 (F)

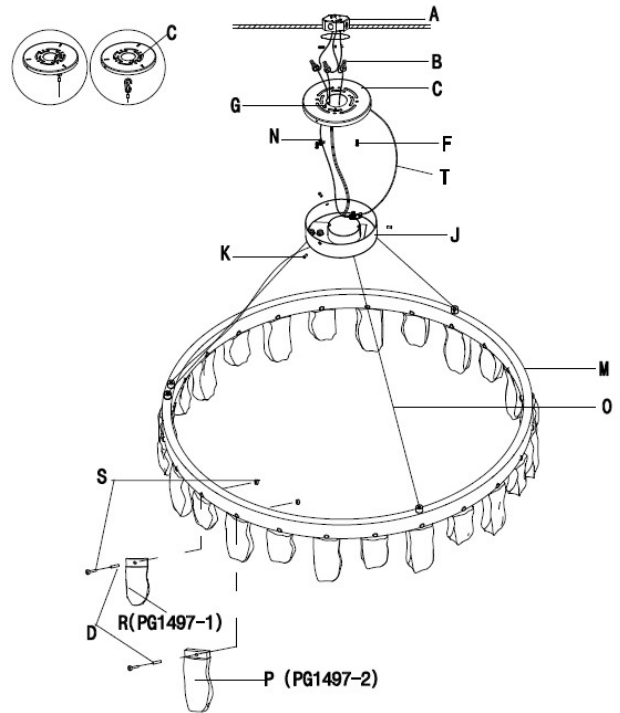


Fig. 2

