

P1 INSTALLATION INSTRUCTIONS

For P1476/8-66A-L

WARNING! SHUT POWER OFF AT FUSE OR CIRCUIT BREAKER.

AVERTISSEMENT! COUPER LE COURANT AU NIVEAU DES FUSIBLES OU DU DISJONCTEUR.

MOUNTING THE FIXTURE (Fig. 1)

1. Shut off power at the fuse box or circuit breaker box and remove the old fixture including the mounting hardware.
2. Carefully unpack your new fixture from carton and check that all parts are included as shown in illustration.
3. Attach mounting plate (C) to junction box (A) (Not included) using outlet box screws (E) (Size: #8-32*1/2"L). The side of mounting plate marked "GND" must face out.
4. Determine desired hanging height and thread rods (K1 and K2) to all thread of fixture (M). Thread canopy (J) onto rod (K1). Pass wires carefully through each rod and canopy (J).
5. There's one driver inside canopy, connect driver output wire to LED wire and secure with wire nuts (F) as below:

-Red driver output wire (labeled output 1 +) to red LED wire (labeled LED 1 +) ;

-Black driver output wire (labeled output 1 -) to black LED wire (labeled LED 1 -) ;

CONNECTION THE WIRES (Fig. 2)

6. Connect the electrical wires as shown in Fig. 2, making sure that all wire connectors are secured. If your outlet has a ground wire (green or bare copper), connect fixture's ground wire to it. Otherwise, connect fixture's ground wire directly to mounting plate using ground screw (N) provided.
7. Tuck wire connectors neatly inside the junction box.

FINISHING THE INSTALLATION (Fig. 1)

8. Align canopy (J) to mounting plate (C) and secure with mounting screws (G).
9. Adjust the light arms to the desired angle.

Your installation is now complete. Return power to the junction box and test the fixture.

CAUTION / ATTENTION: When handling the fixture, do not apply pressure to the LEDs. Hold the fixture by the base or fixture body only.

IMPORTANT: Fixture should be installed by a qualified electrician to ensure proper wiring and installation.

Dimmable with ELV and/or LED compatible wall dimmer switches.

Fig. 1

Mounting Plate Set #:

A-021-153D for P1476/8-66A-L

-Mounting Plate (C)

-Ground Screw (N)

-Outlet Box Screw *2 (E)

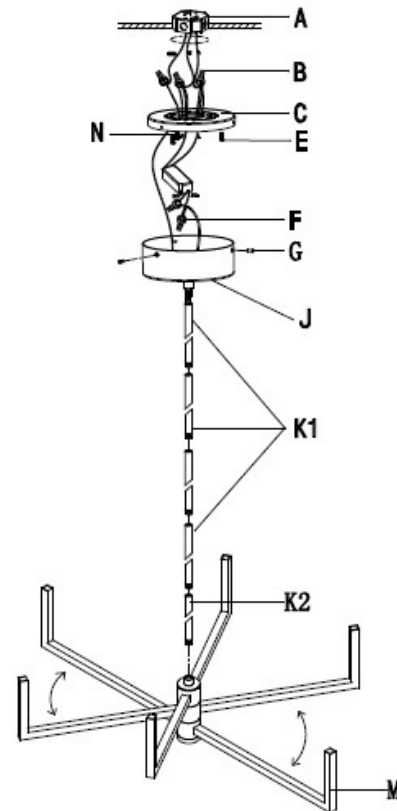


Fig. 2

