

INSTALLATION INSTRUCTIONS

Model: N9641-B / N9641-W

WARNING TURN OFF POWER AT FUSE OR CIRCUIT BREAKER.

INSTALLATION PREPARATION (Fig. 2)

1. Shut off power at the fuse box or circuit breaker and remove the old fixture, including the mounting hardware.
2. Carefully unpack the new fixture and lay out all parts on a clear area. Be careful not to lose any parts needed for installation.

MOUNTING THE FIXTURE (Fig.1)

3. Secure the crossbar to the outlet box (not included) with screws (not included). The side of the crossbar marked "GND" must face out.
4. Adjust the electrical wire to desired hanging length using the small clear plastic set screw located on side of the wire restrain on canopy (with a flathead screwdriver (not included)). Ensure to re-tighten set screw after wire adjustment. Adjust the cable on strainer by pushing the strainer and cable at the same time. To straighten cord, please use a blow dryer (not included) if necessary.

CONNECTING THE WIRES (Fig. 3)

5. Connect the electrical wires as shown in Fig. 3, making sure that all wire connectors are secured. If your outlet box has a ground wire (green or bare copper), connect the ground wire to it. Otherwise, connect the fixture's ground wire directly to the crossbar using the green screw provided.
6. Tuck the wire connectors neatly into the outlet box.

COMPLETING THE INSTALLATION (Fig. 2)

7. Place the canopy over crossbar and secure with canopy screws.
8. Install (1) medium base bulb up to 40 watts or CFL or LED equivalent (not included) in accordance with the fixture's specification- **DO NOT EXCEED THE MAXIMUM WATTAGE RATING! (NE PAS DEPASSER LA PUISSANCE NOMINALE MAXIMALE!)**

DO NOT EXCEED MAXIMUM RATED POWER!

Your installation is now complete. Return power to the outlet box and test the fixture.

Note: The illustration in this manual is for installation purposes only. It may or may not be identical to the fixture purchased. Do not clean the fixture or its parts with water or cleaning products.

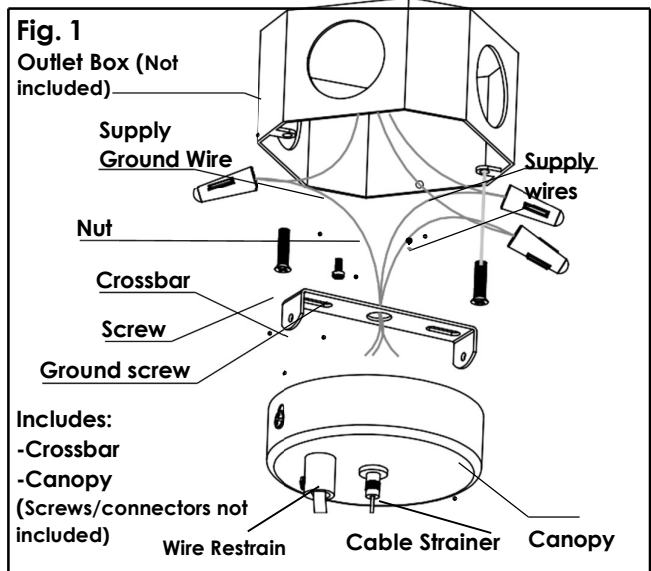


Fig. 2

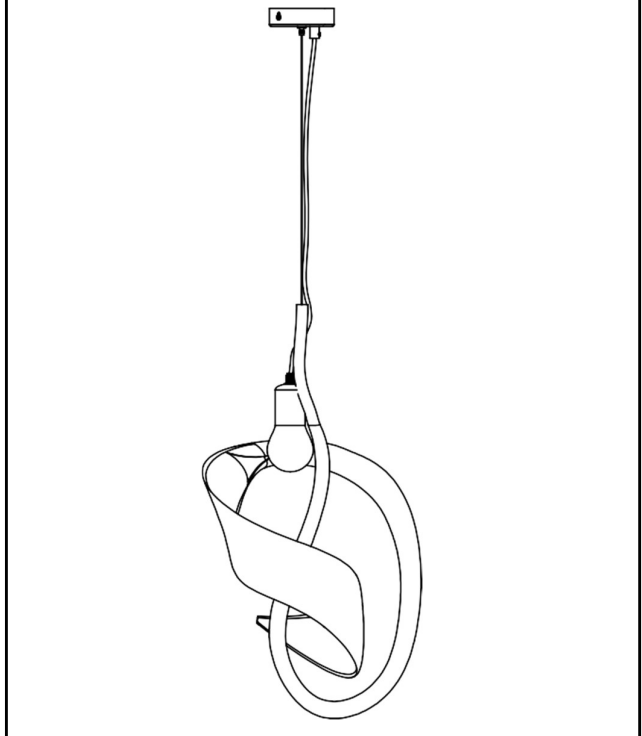


Fig. 3

