

# INSTALLATION INSTRUCTIONS

Item #N9620

READ AND SAVE THESE INSTRUCTIONS

## PREPARING THE FIXTURE

1. Carefully unpack the new fixture and lay out all the parts on a clear area. Take care not to lose any parts necessary for installation.
2. Shut off the power at the fuse box or circuit breaker. If necessary, remove the old fixture, including the mounting hardware.

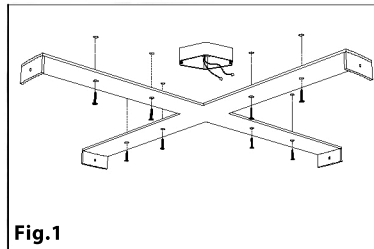


Fig.1

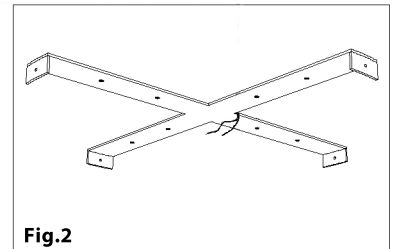


Fig.2

## MOUNTING THE FIXTURE

3. (fig.1-2) Fix the chandelier support to the ceiling with Special screws, taking care to also pass the Electrical cables through the ceiling.
4. (fig.3-4) Carry out the assembly of the light poles following the appropriate diagram, once arranged correctly tighten them with the bolts.

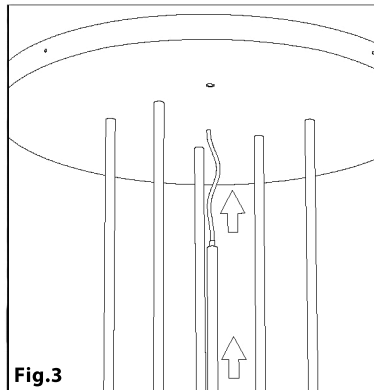


Fig.3

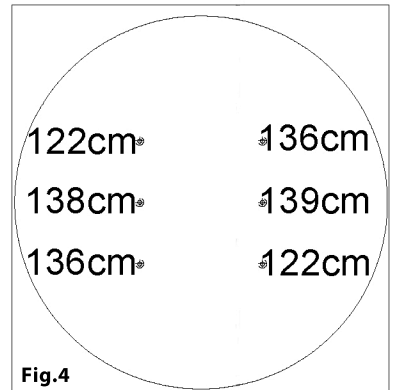


Fig.4

## CONNECTING THE WIRES

5. At this point, connect the electrical wires as shown in (Fig.5), making sure that all wire connectors are secured. If your outlet box has a ground wire (green or bare copper), connect the fixture's ground wire to it. Otherwise, connect the fixture's ground wire directly to the mounting strap using the screw provided. Divide the electrical cables in such a way as to use 4 and 5 wire connectors, thus forming two groups of wire. Connect them to each other with a bridge connection. From one of the connectors bring out the cable called the central cables which will connect to the cables of the ceiling box electrifying the chandelier.
6. Tuck wire connectors neatly into outlet box.

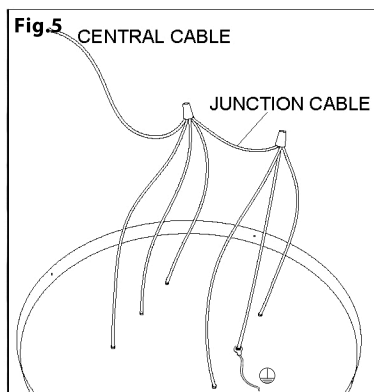


Fig.5

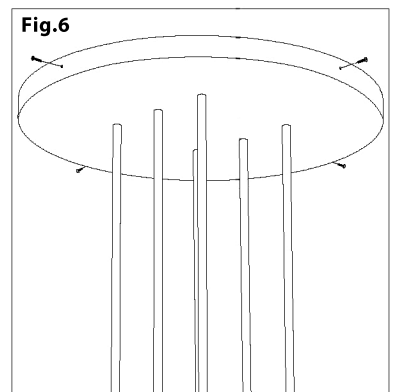


Fig.6

## FINISHING THE INSTALLATION

7. (fig.6) After electrifying the appliance lift the structure and screw it to the appropriate support previously fixed to the ceiling.
8. (fig.7) Insert the alabaster disk into each support as shown in the photo, unscrew the support bar, insert the disk, reinsert the support bar by passing it through appropriate holes and tighten.—**DO NOT EXCEED THE MAXIMUM WATTAGE RATING! (NE PAS DEPASSER LA PUISSANCE NOMINALE MAXIMALE!).**

Your installation is now complete. Return power to the outlet box and test the fixture.

**Note: Illustration on this manual is for installation purposes only. It may or may not be identical to the fixture purchased. Do not clean your light fixture or parts with water or cleanser.**

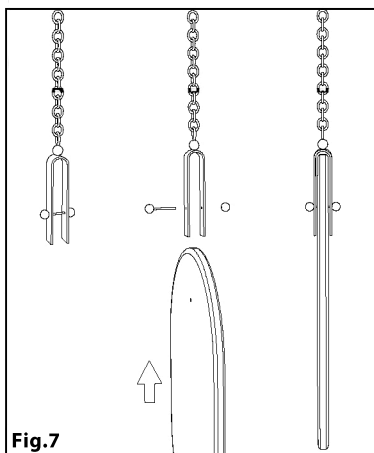


Fig.7

