

# INSTALLATION INSTRUCTIONS

Model: N9494

## READ AND SAVE THESE INSTRUCTIONS

**WARNING! SHUT POWER OFF AT FUSE OR CIRCUIT BREAKER.  
AVERTISSEMENT! COUPER LE COURANT AU NIVEAU DES FUSIBLES OU DU DISJONCTEUR.**

### PREPARING THE FIXTURE (Fig. 2)

1. Carefully unpack the new fixture and lay out all the parts on a clear area. Take care not to lose any parts necessary for installation.
2. Shut off the power at the fuse box or circuit breaker. If necessary, remove the old fixture, including the mounting hardware.

### MOUNTING THE FIXTURE (Fig. 1)

3. By measuring, determine desired hanging height and wires of each crystal at the desired height.
4. Loosen screw (F) on wire connector (B). Carefully pass fixture wires with glass through each wire connector (B) as you assemble and secure height with screw (F).
5. Drill holes on ceiling in accordance with holes on mounting plate and knock bolt into the holes.
6. Attach mounting plate to outlet box (Not Included) using self-tapping screws to be placed in hole A.
7. Lace safety cable through side of hickey. Loop safety cable around hickey and secure assembly with screw on cable lock as shown. Run cable through top of outlet box and secure to structural.

### CONNECTING THE WIRES (Fig. 3)

8. Connect the electrical wires as shown in Fig. 3, making sure that all wire connectors are secured. If your outlet box has a ground wire (green or bare copper), connect fixture's ground wire directly to mounting strap using green screw provided.
9. Tuck wire connectors neatly into outlet box.

### FINISHING THE INSTALLATION (Fig. 1, 2 & 4)

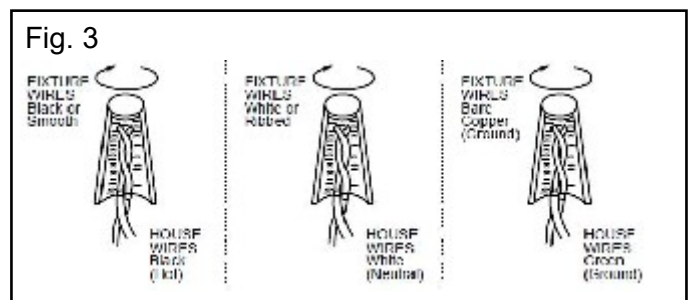
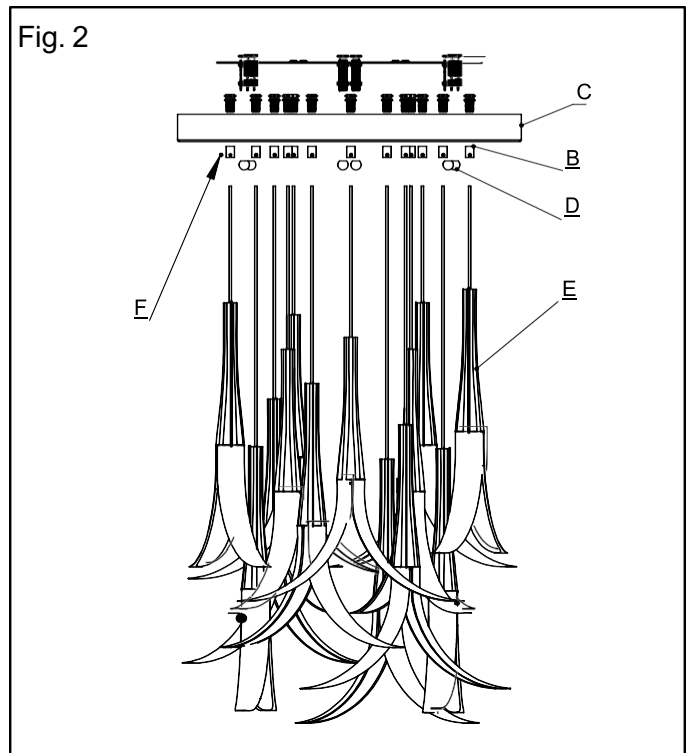
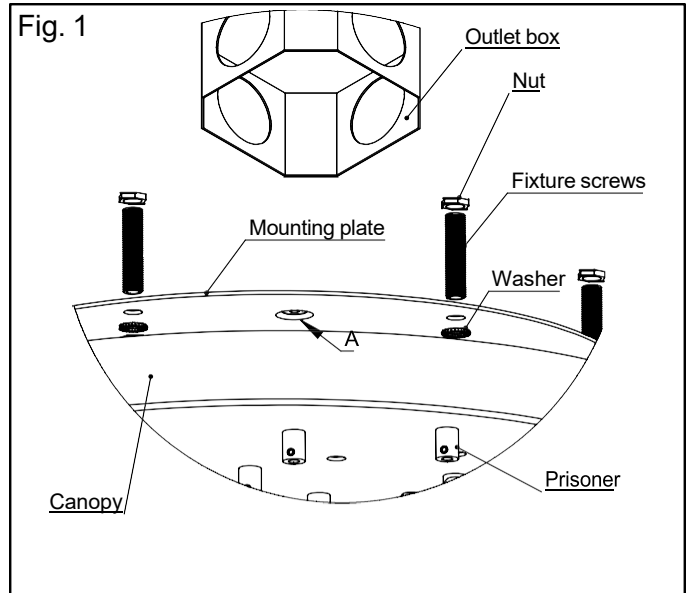
10. Place fixture canopy (C) over fixture screws (or all thread) and secure with decorative nuts (D).
11. Install glass (E) by running wire through wire connectors (F) and secure with screw (G).

**DO NOT EXCEED THE MAXIMUM WATTAGE RATING! (NE PAS DEPASSER LA PUISSANCE NOMINALE MAXIMALE!)**

Your installation is now complete. Return power to the outlet box and test the fixture.

**IMPORTANT:** For a safe and secure installation, these fixtures must be installed by means of supports that are independent of the outlet box. (Note - For heavy fixtures hickey and cable lock are provided, other required hardware to be supplied by installer)

Note: Illustration on this manual is for installation purposes only. It may or may not be identical to the fixture purchased. Do not clean your light fixture or parts with water or cleanser.



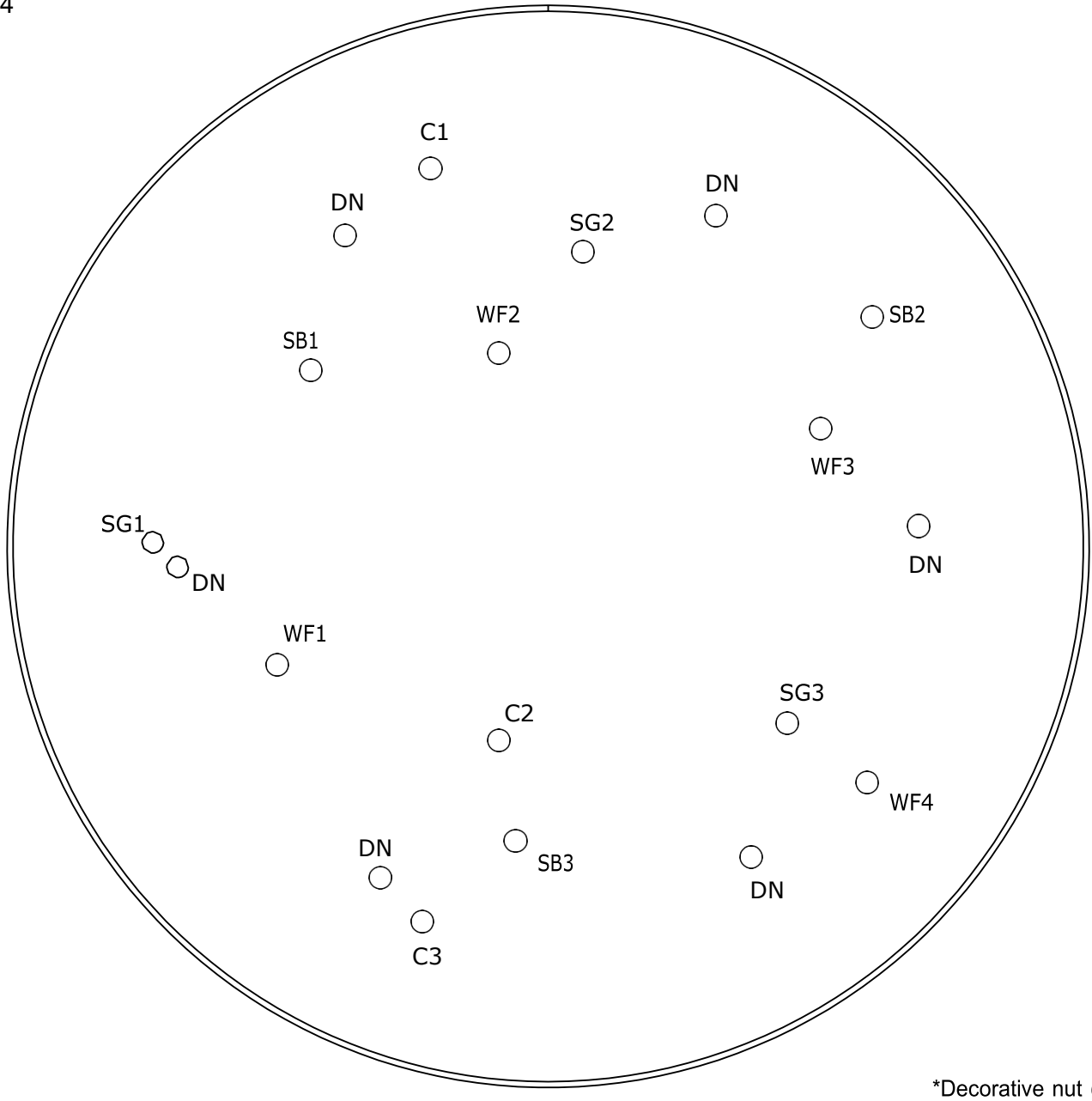
# INSTALLATION INSTRUCTIONS

Model: N9494

READ AND SAVE THESE INSTRUCTIONS

**WARNING! SHUT POWER OFF AT FUSE OR CIRCUIT BREAKER.  
AVERTISSEMENT! COUPER LE COURANT AU NIVEAU DES FUSIBLES OU DU DISJONCTEUR.**

Fig. 4



\*Decorative nut (DN)

## GLASS ASSEMBLY BY COLORS (Fig.4) Included with fixture:

- 3pcs. Color Smoke Blue (SB).
- 3pcs. Color Smoke Green (SG).
- 3pcs. Color Clear (C).
- 4pcs. Color White Frosted (WF).

Now you must place each piece with wire length as specified in the following list (Fig. 4):

- SB1. 29,5 inches
- SB2. 29,5 inches
- SB3. 31 inches
- SG1. 24,5 inches
- SG2. 31 inches
- SG3. 23 inches
- C1. 21,5 inches
- C2. 25 inches
- C3. 23 inches
- WF1. 27 inches
- WF2. 25 inches
- WF3. 31,5 inches
- WF4. 28 inches