

INSTALLATION INSTRUCTIONS

Model: N9438

READ AND SAVE THESE INSTRUCTIONS

WARNING! SHUT POWER OFF AT FUSE OR CIRCUIT BREAKER.
AVERTISSEMENT! COUPER LE COURANT AU NIVEAU DES FUSIBLES OU DU DISJONCTEUR.

PREPARING THE FIXTURE (Fig. 2)

1. Carefully unpack the new fixture and lay out all the parts on a clear area. Take care not to lose any parts necessary for installation.
2. Shut off the power at the fuse box or circuit breaker. If necessary, remove the old fixture, including the mounting hardware.

MOUNTING THE FIXTURE (Fig.1)

3. The mounting strap contains several pairs of threaded holes, find the pair of holes that match holes spacing in your fixture canopy and thread two fixture screws into mounting strap and tighten with hex nut. Note: The length of fixture screw into mounting strap may be adjusted if necessary.
4. Attach mounting strap to outlet box (not included) using screws. The side of mounting strap marked "GND" must face out.

CONNECTING THE WIRES (Fig. 3)

5. At this point, connect the electrical wires as shown in Fig. 3, making sure that all wire (green or bare copper), connect the fixture's ground wire directly to the mounting strap using the green screw provided.
6. Tuck wire connectors neatly into outlet box.

FINISHING THE INSTALLATION (Fig. 2)

7. Un-thread screw the terminal (D) and remove the base to place the arms (A).
8. Insert the arms (A) through the holes in the disc, securing them with the washer (C) and the nut (B). Repeat this step for all arms.
9. Replace the base and screw the terminal (D) back onto the spike (E).

DO NOT EXCEED THE MAXIMUM WATTAGE RATING!
(NE PAS DEPASSER LA PUISSANCE NOMINALE MAXIMALE!)

Your installation are now complete. Return power to the outlet box and test the fixture.

IMPORTANT: For a safe and secure installation, these fixtures must be installed by means of supports that are independent of the outlet box. (Note - For heavy fixtures hickey and cable lock are provided, other required hardware to be supplied by installer)

Note: Illustration on this manual is for installation purposes only. It may or may not be identical to the fixture purchased. Do not clean your light fixture or parts with water or cleanser.

Fig. 1

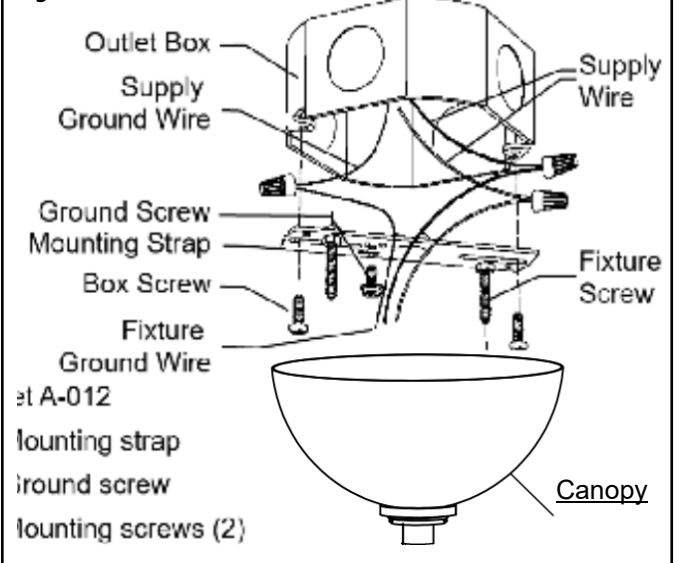


Fig. 2

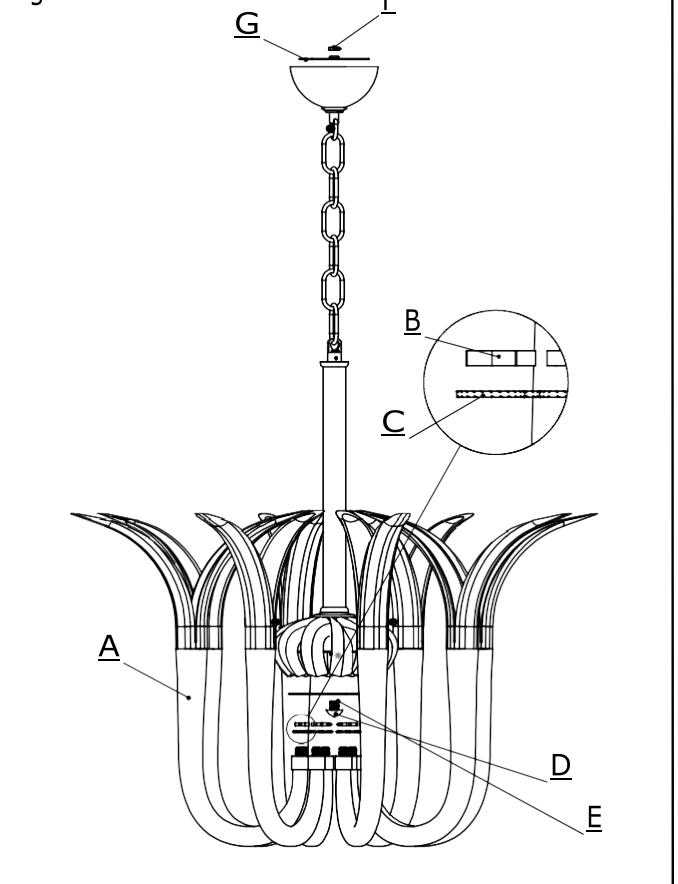


Fig. 3

