

# INSTALLATION INSTRUCTIONS

N9407

## READ AND SAVE THESE INSTRUCTIONS

**WARNING! SHUT POWER OFF AT FUSE OR CIRCUIT BREAKER.  
AVERTISSEMENT! COUPER LE COURANT AU NIVEAU DES FUSIBLES OU DU DISJONCTEUR.**

### PREPARING THE FIXTURE (Fig. 2)

1. Carefully unpack the new fixture and lay out all the parts on a clear area. Take care not to lose any parts necessary for installation.
2. Shut off the power at the fuse box or circuit breaker. If necessary, remove the old fixture, including the mounting hardware.

### MOUNTING THE FIXTURE (Fig.1)

3. The mounting strap contains several pairs of threaded holes, find the pair of holes that match the hole spacing on the lamp cover and thread two lamp screws into the mounting strap and tighten with a hex nut. Note: The length of the fixture screw on the mounting strap can be adjusted if necessary.
4. Attach the mounting strap to the ceiling with screws. The side of the mounting strap marked "GND" must face out.

### CONNECTING THE WIRES (Pag. 3)

5. At this point, connect the electrical wires as shown in Fig. 3, making sure that all wire (green or bare copper), connect the fixture's ground wire directly to the mounting strap using the green screw provided.
6. Tuck wire connectors neatly into outlet box.

### FINISHING THE INSTALLATION (Fig. 1 & 2)

7. Place fixture canopy (E), to do so, remove the mounting strap (F) over fixture screws (or all thread) and secure with screws (D).
8. Install the glass (A) on the wires it with screws (H) on the prisoners (G), attach the prisoners (G) to the canopy(E) with the nut (B) and washer (C).

### GLASS PLACEMENT BY WIRE LENGTH (Fig. 4)

You have received 7 pieces. Now you must place these pieces with the specific wire length indicated below:

- The pieces in position P1 have a cable length from the canopy to the glass of the 11,5 inches.
- The pieces in position P2 have a cable length from the canopy to the glass of the 7,5 inches.
- The pieces in position P3 have a cable length from the canopy to the glass of the 3,5 inches.

**DO NOT EXCEED THE MAXIMUM WATTAGE RATING! (NE PAS DEPASSER LA PUISSANCE NOMINALE MAXIMALE!)**

Your installation are now complete. Return power to the outlet box and test the fixture.

**IMPORTANT:** For a safe and secure installation, these fixtures must be installed by means of supports that are independent of the outlet box. (Note - For heavy fixtures hickey and cable lock are provided, other required hardware to be supplied by installer)

Note: Illustration on this manual is for installation purposes only. It may or may not be identical to the fixture purchased. Do not clean your light fixture or parts with water or cleanser.

Fig. 1

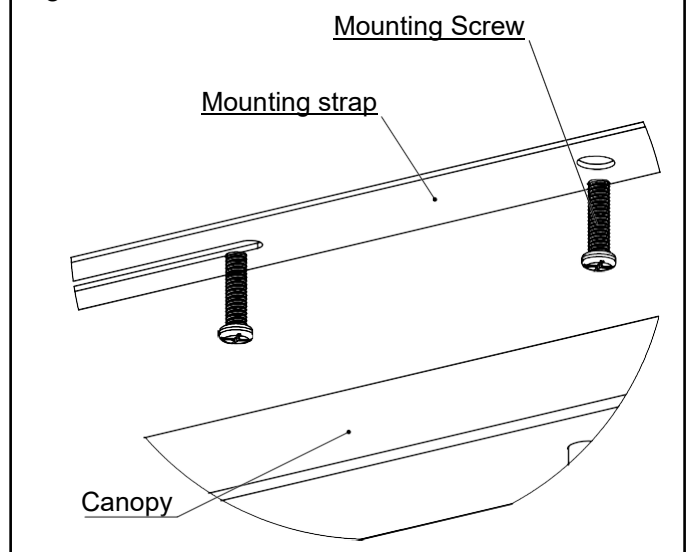


Fig. 2

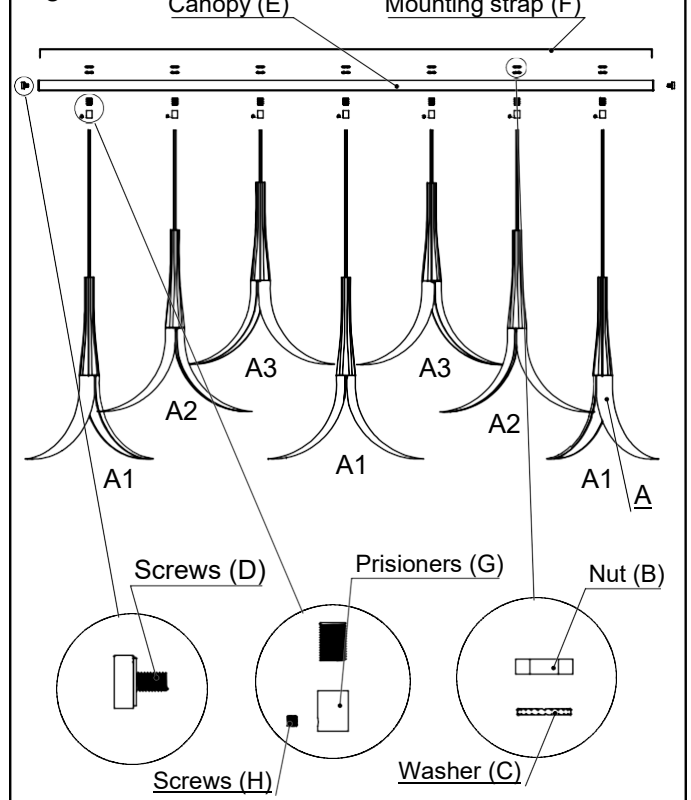


Fig. 3

