

INSTALLATION INSTRUCTIONS

For item#N7726-705 (New. 12/26/2019)

READ AND SAVE THESE INSTRUCTIONS

WARNING! SHUT POWER OFF AT FUSE OR CIRCUIT BREAKER.

AVERTISSEMENT! COUPER LE COURANT AU NIVEAU DES FUSIBLES OU DU DISJONCTEUR.

ASSEMBLING THE FIXTURE (Fig.1)

1. Shut off power at the fuse box or circuit breaker box and remove the old fixture including the mounting hardware.
2. Carefully unpack your new fixture and lay out all the parts in a clean area. Take care not to misplace any small parts necessary for installation.
3. Attach crystal assembly (L) to brackets (K) using screws (J).
4. Secure metal tube (O) onto the nipple (I) of fixture body.
5. Determine the desired hanging height and thread rods (F1, F2 and F3) to the nipple of the metal tube (O). Then attach loop (H1) by screwing in to rod (F1). Pass the wires and cable carefully through each rod as you assemble.
6. Attach the quick link (G) connect to loop (H1) and loop (H2) on the canopy (E), carefully feed the wire and cable over loop (H1), quick link (G) and loop (H2).
7. Position the mounting plate (C) on the ceiling, and mark location of the plastic anchors (R). Drill the holes on the ceiling, and then insert the plastic anchors (R). Attached the mounting plate (C) to the junction box using mounting screws (B) (Size: #8-32N*L0.5"). The side of the mounting plate marked "GND" must face out. Secure the mounting plate (C) by inserting the wood screws (S) through the holes on the mounting plate into the plastic anchors (R).

HANGING THE FIXTURE (Fig. 3)

NOTE: For a safe and secure installation, these fixtures must be installed by means of support that is independent of the outlet box.

(Note – For heavy fixtures hickey and cable lock are provided, other required hardware to be supplied by installer):

8. Provide a 1/4 IPS pipe with one end securely mounted to a beam or a structural member. The other end should protrude through the center of the outlet box as shown.
9. Assemble the hickey to center 1/4 IPS support pipe as shown.
10. Lace the fixture wires, ground and safety cable through the quick link and loop, exiting through the side of hickey. Place the safety cable through the lock and coil around the hickey twice, secure the lock at this point. Then feed cable through the top of the outlet box and secure to a structural member.

CONNECTING THE WIRES (Fig. 2)

11. At this point, connect the electrical wires as shown in figure 2, making sure that all wire connectors are secured. If your outlet has a ground wire (green or bare copper), connect the fixture's ground wire to it. Otherwise, connect the fixture's ground wire directly to the mounting plate using the green screw provided.
12. Tuck the wire connectors neatly into the ceiling Junction Box and then raise the canopy (E) all the way to the ceiling.

COMPLETING THE INSTALLATION (Fig. 1)

13. Place canopy (E) over the mounting plate (C) and secure it with screws (F).
14. Place the candle covers (D) over the sockets (M).
15. Install (12) twelve candelabra base bulbs (A) bulb up to 60 watts each or CFL or LED equivalent (not included) in accordance with the fixture specification — **DO NOT EXCEED THE MAXIMUM WATTAGE RATING! (NE PAS DEPASSER LA PUISSANCE NOMINALE MAXIMALE!)**.

Your installation is now complete. Return power to the outlet box and test the fixture.

Note: Illustration (Fig. 1) on this manual is for installation purposes only. It may or may not be identical to the fixture purchased.

Fig. 1

Set#A-021-370119
- Mounting Plate
- Ground screw
- Mounting Screw*2

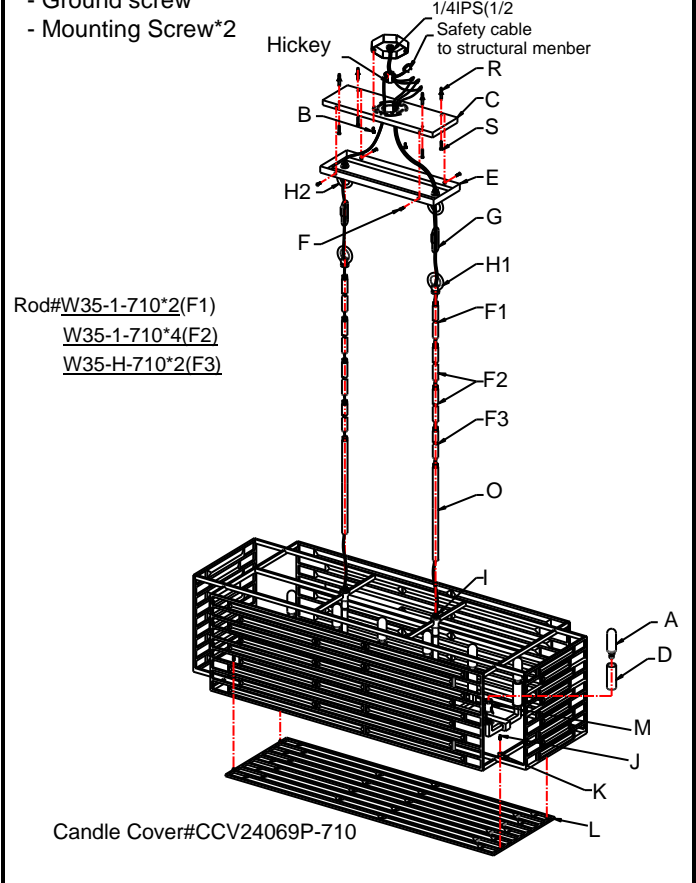


Fig. 2

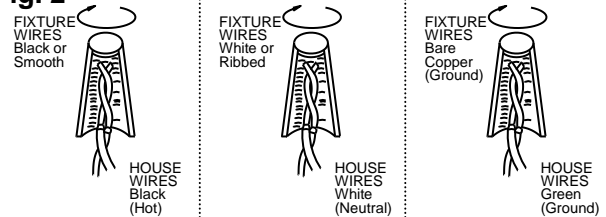


Fig. 3

