

INSTALLATION INSTRUCTIONS

Item#N5369-XXX (New. 06/06/2024)

READ AND SAVE THESE INSTRUCTIONS

WARNING! SHUT POWER OFF AT FUSE OR CIRCUIT BREAKER.

AVERTISSEMENT! COUPER LE COURANT AU NIVEAU DES FUSIBLES OU DU DISJONCTEUR.

PREPARATION (Fig. 1)

1. Shut off power at the fuse box or circuit breaker box and remove the old fixture including the mounting hardware.
2. Carefully unpack your new fixture and lay out all the parts in a clean area. Take care not to misplace any small parts necessary for installation.

ASSEMBLING THE FIXTURE (Fig. 1)

3. Determine the desired hanging height by loosening screw (G) from bushing (H) and pushing cord through the center of bushing (H), if necessary, cut cord leaving an additional 8" to allow for electrical connection.
4. Secure cord into bushing (H) by tightening screw (G).
5. Carefully cut and remove approximately 4" of the outer sheathing from the cord and strip 1/2" of the wire ends bare to expose copper strands.
6. Position mounting plate (B) to ceiling and mark the location of the three drywall anchors (A). Pre-drill holes and insert drywall anchors (A) into ceiling.
7. Attach mounting plate (B) to outlet box (Not included) using screws (C) (Size: #8-32N*L0.5"). The side of the mounting plate (B) marked "GND" must face out.
8. Screw woodscrews (D) through mounting plate (B) into drywall anchors (A) to secure mounting plate (B) to ceiling.
9. The support cable is provided to support weight of fixture while wiring. Align fixture to mounting plate (B) and attach hook (P) on the end of support cable (O) and a slot located on mounting plate (B). Carefully allow support cable (O) to support weight of fixture while wiring.

CONNECTING THE WIRES (Fig. 2)

10. Connect the electrical wires as shown in Fig. 2, making sure that all wire connectors are secured. If your outlet box has a ground wire (green or bare copper), connect fixture's ground wire to it. Otherwise, connect fixture's ground wire directly to mounting plate (B) using the green screw provided.

COMPLETING THE INSTALLATION (Fig. 1)

11. Slide canopy (F) over mounting plate (B) and secure with screws (E).
12. Install (9) nine candelabra base bulbs (J) up to 60 watts each or CFL or LED equivalent (Not included) in accordance with the fixture specification—**DO NOT EXCEED THE MAXIMUM WATTAGE RATING! (NE PAS DEPASSER LA PUISSANCE NOMINALE MAXIMALE!)**.
13. Twist large glass shade (K1) and small glass shade (K2) to socket (I) until snug. Do not over tighten.
14. To straighten the cord, please use a blow dryer (Not included) if necessary.

Your installation is now complete. Return power to the outlet box and test the fixture.

Note: Illustration (Fig. 1) on this manual is for installation purposes only. It may or may not be identical to the fixture purchased.

Fig. 1

Set#A-021-585D
- Mounting Plate
- Ground Screw
- Mounting Screw *2

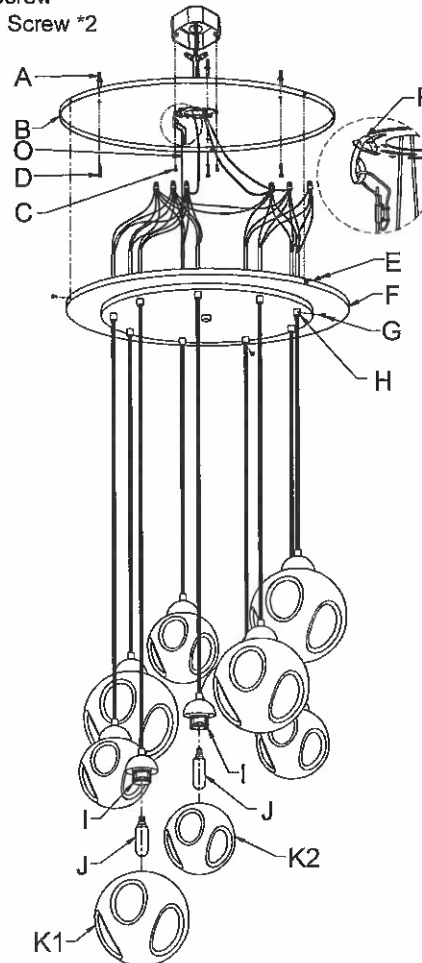
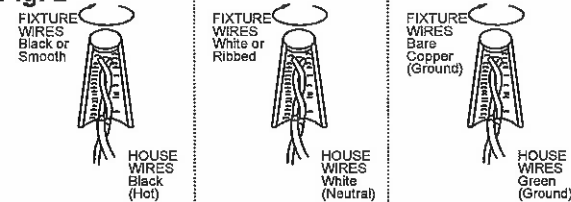


Fig. 2



IMPORTANT: FIXTURE SHOULD BE INSTALLED BY A QUALIFIED ELECTRICIAN TO ENSURE PROPER WIRING AND INSTALLATION.

