

# INSTALLATION INSTRUCTIONS

Item#N2213-732 / N2213-A-732

## READ AND SAVE THESE INSTRUCTIONS

**WARNING! SHUT POWER OFF AT FUSE OR CIRCUIT BREAKER.**

**AVERTISSEMENT! COUPER LE COURANT**

**FUSIBLES OU DU DISJONCTEUR.**

### PREPARATION (Fig.1)

1. Shut off power at the fuse box or circuit breaker box and remove the old fixture including the mounting hardware.
2. Carefully unpack your new fixture and lay out all the parts in a clean area. Take care not to misplace any small parts necessary for installation.
3. Attach mounting plate (A) to the junction box (not included) with junction box screw(C) (Size: #8-32N\*L1/2"). The side of mounting plate marked "GND" must face out.

### CONNECTING THE WIRES (Fig. 2)

4. Connect the electrical wires as shown in Fig 2, making sure that all wire connectors are secured. If your junction box has a ground wire (green or bare copper), connect fixture's ground wire to it. Otherwise, connect fixture's ground wire directly to the mounting plate (A) using green screw provided.
5. Tuck wire connectors neatly into the junction box.

### COMPLETING THE INSTALLATION (Fig. 1)

6. Place backplate (D) over mounting plate (A) and secure with nuts (E).
7. Install (3) three candelabra base bulb up to 60 watts each or CFL or LED equivalent (not included) in accordance with the fixture specification.—**DO NOT EXCEED THE MAXIMUM WATTAGE RATING! (NE PAS DEPASSER LA PUISSANCE NOMINALE MAXIMALE!)**
8. Attach glass (F) onto the frame with cap nuts (G) and washer provided.

Your installation is now complete. Return power to the junction box and test the fixture.

**Note: Illustration (Fig. 1) on this manual is for installation purposes only. It may or may not be identical to the fixture purchased.**

Fig.1

Set #A-020

- Mounting plate
- Junction box screws (2)
- Ground screw

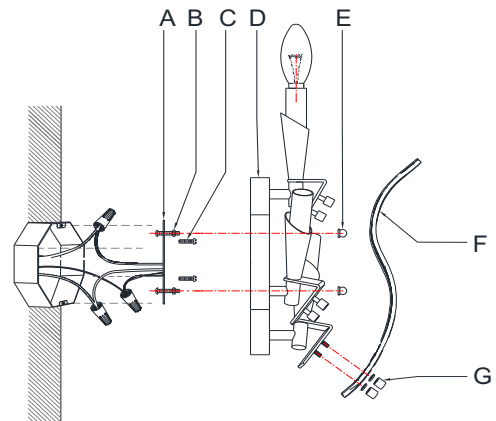


Fig. 2

