

INSTALLATION INSTRUCTIONS

Item#N1997-732 / N1997-A-732

READ AND SAVE THESE INSTRUCTIONS

WARNING! SHUT POWER OFF AT FUSE OR CIRCUIT BREAKER.

AVERTISSEMENT! COUPER LE COURANT AU NIVEAU DES FUSIBLES OU DU DISJONCTEUR.

PREPARATION (Fig.1)

1. Shut off power at the fuse box or circuit breaker box and remove the old fixture including the mounting hardware.
2. Carefully unpack your new fixture and lay out all the parts in a clean area. Take care not to misplace any small parts necessary for installation.
3. Decide the preferred hanging height and choose the correct length of rods (I, J, K and L) needed. Pass fixture wire up through the rods (I, J, K and L), screw the rods (I, J, K and L) onto coupling (N).
4. After screw the rods (I, J, K and L), secure the set screws on coupling (N) by Allen wrench (M) provided.
5. Slip the collar ring (H) and canopy (G) down over end of rods.
6. Attach crossbar assembly to the junction box (not included) with mounting screws (B) (Size: #8-32N*L1/2"). The side of the crossbar (A) with "GND" marked on it and two convex points must face out. The length of nipple (C) into crossbar (A) maybe adjusted if necessary.
7. Raise the fixture up to the ceiling, then connect the fixture loop (F) to ceiling loop (D) with quick link (E).
8. Feed the wires carefully through the fixture loop (F), quick link (E), ceiling loop (D) and nipple (C).

CONNECTING THE WIRES (Fig. 2)

9. Connect the electrical wires as shown in Fig 2, making sure that all wire connectors are secured. If your junction box has a ground wire (green or bare copper), connect fixture's ground wire to it. Otherwise, connect fixture's ground wire directly to the crossbar (A) using green screw provided.
10. Tuck wire connectors neatly into the junction box.

COMPLETING THE INSTALLATION (Fig. 1)

11. Carefully raise the canopy (G) up to ceiling, screw with collar ring (H).
12. Install (9) night candelabra base bulbs up to 60 watts each or CFL or LED equivalent (not included) in accordance with the fixture specification. — **DO NOT EXCEED THE MAXIMUM WATTAGE RATING! (NE PAS DEPASSER LA PUISSANCE NOMINALE MAXIMALE!)**
13. Starting from the bottom of fixture body (O) to installing glasses for more convenience. Attach glass (P) onto the hook of fixture body (O).

Your installation is now complete. Return power to the junction box and test the fixture.

Fig.1

Set #A-012-46B

-Crossbar

-Mounting screws (2)

-Ground screw

Allen Wrench#WRH-L-M4

Rod#W35-H-732

Rod#W35-1-732

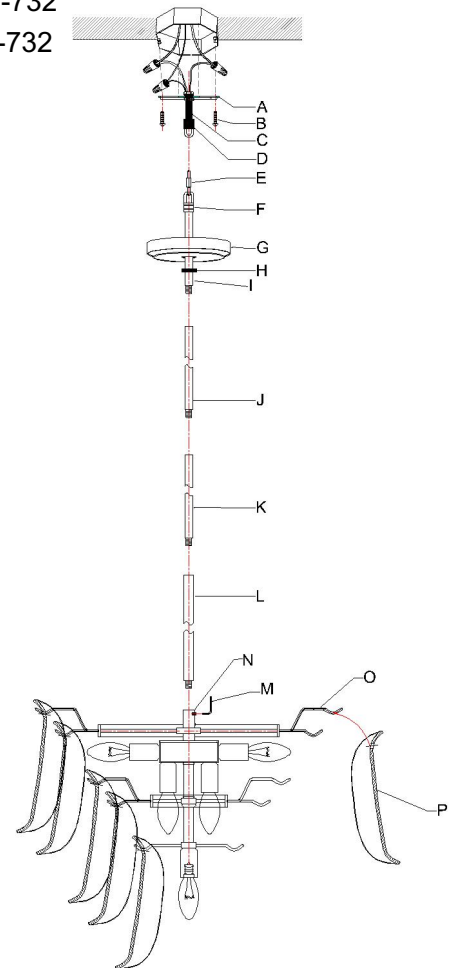


Fig. 2

FIXTURE WIRES
Black or
Smooth



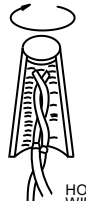
HOUSE WIRES
Black
(Hot)

FIXTURE WIRES
White or
Ribbed



HOUSE WIRES
White
(Neutral)

FIXTURE WIRES
Bare
Copper
(Ground)



HOUSE WIRES
Green
(Ground)



american
lighting
association