

INSTALLATION INSTRUCTION

Item# N1941

READ AND SAVE THESE INSTRUCTIONS

WARNING! SHUT POWER OFF AT FUSE OR CIRCUIT BREAKER .
AVERTISSEMENT! COUPER LE COURANT AU NIVEAU DES FUSIBLES OU DU DISJONCTEUR.

PREPARATION

1. Shut off the power at the circuit breaker box and, remove the old fixture including the mounting hardware.
2. Carefully unpack your new fixture and lay out all the parts on a clear area. Take care not to lose any small parts necessary for installation.

MOUNTING THE FIXTURE (Fig.1)

3. Secure mounting plate (C) to the junction box (Not provided) with junction box screws (D) (Size: #8-32*0.6"L), through the slotted holes in the mounting plate (C). Make sure the side of mounting plate marked "GND" must face out.

CONNECTING THE WIRES (Fig. 2)

4. Connect the fixture wires to the junction box wires as shown in Fig. 2, making sure all wire connectors are secured. If your outlet box has a ground wire (green or bare copper) connect the fixture's ground wire to it. Otherwise, connect the fixture's ground wire directly to the mounting plate using the green screw provided.
5. After the wires are connected, tuck them neatly inside the junction box (Not provided).

COMPLETING THE INSTALLATION (Fig. 1)

6. Align back plate (F) to the mounting plate (D), and secure with mounting screws (E) (Size: #8-32*0.5"L).
7. Install (2) two candelabra base bulbs up to 60 watts each or CFL or LED equivalent (not included) in accordance with the fixture specification. **(DO NOT EXCEED THE SPECIFIED WATTAGE!) (NE PAS DEPASSER LA PUISSANCE NOMINALE MAXIMALE!)**
8. Install the crystal glass (A & B) onto the fixture body and secure with screws (G) using wrench (H) (Provided). Don't over tighten.

NOTE: When installing screws (G), it is necessary to leave 1-2 millimeters outside.

Your installation is now complete. Return the power to the junction box and test the fixture.

Fig.1

Set#A-020-106160

- Mounting plate
- Ground screw
- Mounting screws*4
- Junction box screws*2

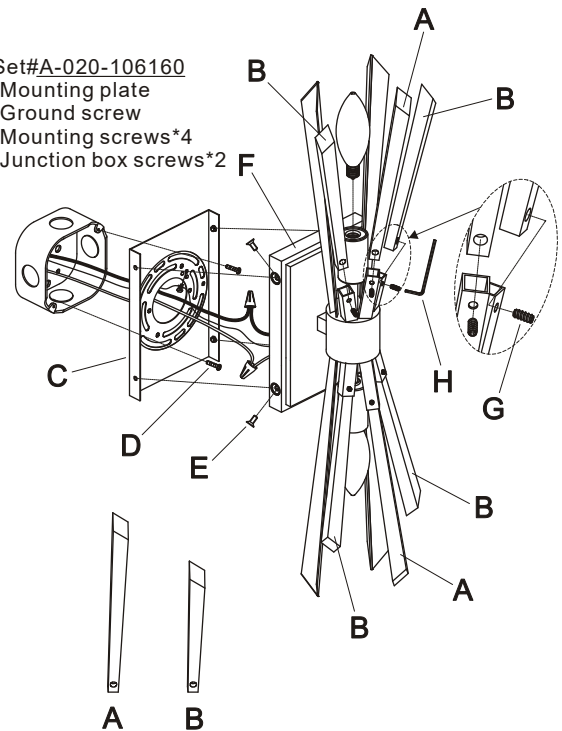


Fig.2

