

INSTALLATION INSTRUCTIONS

Item# N1939-760

READ AND SAVE THESE INSTRUCTIONS

WARNING! SHUT POWER OFF AT FUSE OR CIRCUIT BREAKER.

VERTISEMENT! COUPER LE COURANT AU NIVEAU DES FUSIBLES OU DU DISJONCTEUR.

ASSEMBLING THE FIXTURE (Fig.1)

1. Shut off power at the fuse box or circuit breaker box and remove the old fixture including the mounting hardware.
2. Carefully unpack your new fixture and lay out all the parts in a clean area. Ensure not to misplace any small parts necessary for installation.
3. Your fixture is supplied with 2 sizes of stem, 2x 6" (K) and 6x 12" (L). Determine the desired hanging height and thread rods 6x (L), 2x (K) with the fixture loop (I1).
4. When assembling the main body, there will be one set of parts that have the supply wire laced through.
5. Slip the set stem assembly along wire and thread onto threaded tube (1) and tighten.
6. Now, do other set of stem assembly in the same procedure to complete this step. Make sure loops (I1) are parallel to fixture body.

HANGING THE FIXTURE (Fig. 2).

7. Thread all thread (D) into crossbar. Note: The length of the all thread (D) into crossbar maybe adjusted if necessary.
8. Use lock washer (B) and hex nut (E) to secure all thread (D) to crossbar (A).
9. Take crossbar assembly and mount to junction box (JB) "not provided" with 8-32 mounting screws. The side of crossbar (A) marked with "GND" must be face out. Note: 2x of quick link are provided.
10. The support cable (SC) is provided to support the weight of the fixture. Align fixture to crossbar (A) and attach hook (HK) to a slot located on crossbar (A). Allow cable to support weight of fixture while wiring.

CONNECTING THE WIRES (Fig. 3)

11. Connect the electrical wire as shown in Fig. 3, making sure that all the wire connectors are secured. If your junction box has a ground wire (green, or bare copper), connect fixture's ground wire to it. Otherwise connect fixture's ground wire directly to the crossbar (A) using green screw provided.
12. Tuck wire connections neatly into junction box (JB).
13. To mount the fixture to the ceiling, first slip the all thread (D) through the mounting holes (G) in the canopy (F) and secure with the finial (H).

FINISHING THE FIXTURE (Fig.1)

14. Install 5x Medium Base bulb up to 100 watts each or CFL or LED equivalent (not included) in accordance with the fixture specification.

**DO NOT EXCEED THE MAXIMUM WATTAGE RATING!
(NE PAS DEPASSER LA PUISSANCE NOMINALE MAXIMALE!)**

Your installation is now complete. You can now turn the power ON and test the fixture.

Note: Illustration (Fig. 1) on this manual is for installation purposes only. It may or may not be identical to the fixture purchased.

FIG. 1

Set# A-012A

- Crossbar
- Ground screw
- Mounting Screw *2

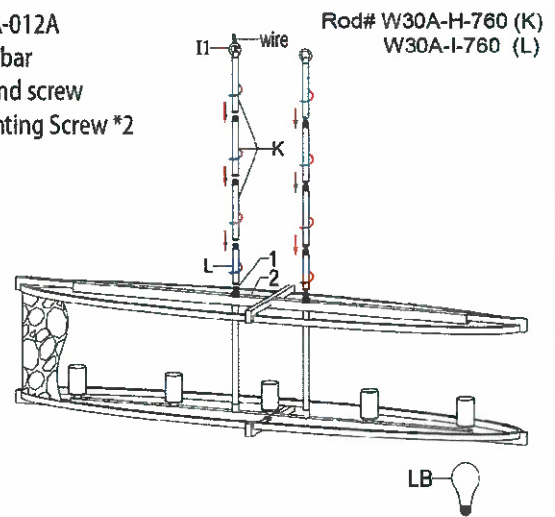


FIG. 2

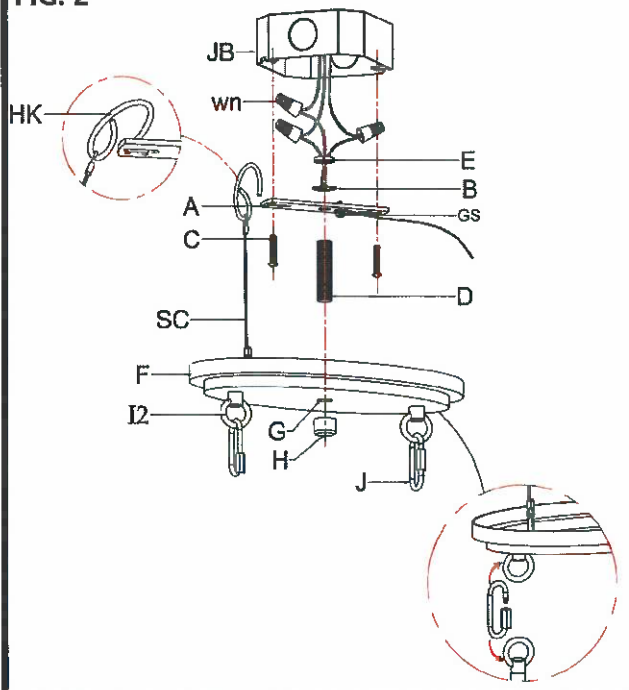
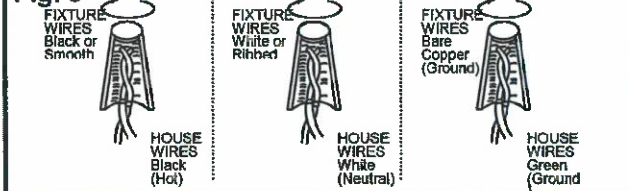


Fig. 3



american
lighting
association