

INSTALLATION INSTRUCTIONS

Item# N1888-788

READ AND SAVE THESE INSTRUCTIONS

WARNING! SHUT POWER OFF AT FUSE OR CIRCUIT BREAKER.
VERTISEMENT! COUPER LE COURANT AU NIVEAU DES FUSIBLES OU DU DISJONCTEUR.

ASSEMBLING THE FIXTURE (Fig. 1)

1. Shut off power at the fuse box or circuit breaker box and remove the old fixture including the mounting hardware.
2. Carefully unpack your new fixture and lay out all the parts in a clean area. Ensure not to misplace any small parts necessary for installation.
3. Thread the center rod (S) onto coupler (1), and slip all thread (N) along with wires onto stem reducer (M). Then thread loop (K) onto coupler (L).

HANGING THE FIXTURE (Fig. 2)

4. Thread all thread (D) into ceiling loop (F) until snug.
5. Thread the other end of all thread (D) into crossbar (A). Note: The length of the all thread (D) into crossbar may be adjusted if necessary.
6. Use lock washer (B) and hex nut (E) to secure all thread (D) to crossbar (A).
7. Take crossbar assembly and mount to junction box (JB) "Not provided" with 8-32 mounting screws. The side of crossbar (A) marked with "GND" must be face out.
8. Determine the desired hanging height and discard the excess chain. Note: 2x quick links are provided and they must be attach to both ends of chain (I).
9. Open quick link (G) and connect to loops (F/K). Then close the quick link.
10. Slip canopy (H) and collar ring (J) over quick link (G) and allow them to rest in the fixture loop (K).
11. Feed fixture wires through ceiling loop (F) and crossbar assembly and all thread (D).

CONNECTING THE WIRE (Fig. 4)

12. Connect the electrical wire as shown in Fig. 4, making sure that all the wire connectors are secured. If your junction box has a ground wire (green, or bare copper), connect fixture's ground wire to it. Otherwise connect fixture's ground wire directly to crossbar (A) using green screw provided.
13. Tuck wire connections neatly into junction box (JB).
14. Raise canopy (H) onto ceiling loop (F) and secure with collar ring (J).

ACCESSORIES INSTALLATION (Fig. 3)

15. Attached the 4- stem hook (Q) to loops (P) and and plate hanger (R). Place the plate hanger (R) first then to brass loop (P)
16. To begin installing the accessories unwrap the alabaster stone panel and alabaster disc from their packing. Arrange them according to their shape.
17. There are 3 different shape of alabaster as shown in Fig. 3.
18. To begin installing the alabaster, push the center stem (S) to the side and place the alabaster disc (AB-132) in sideways. Then proceed with alabaster stone panel (AB-160) and lastly with alabaster stone panel (AB-154).

FINISHING THE FIXTURE (Fig. 1)

19. Install the 8x E12 base light bulbs (LB) up to 60 watts each or CFL or LED equivalent (Not included) in accordance with the fixture specification.

DO NOT EXCEED THE MAXIMUM WATTAGE RATING!
(NE PAS DEPASSER LA PUISSANCE NOMINALE MAXIMALE!)

Your installation is now complete. You can now turn the power ON and test the fixture.

Note: Illustration (Fig. 1) on this manual is for installation purposes only. It may or may not be identical to the fixture purchased.

FIG. 1

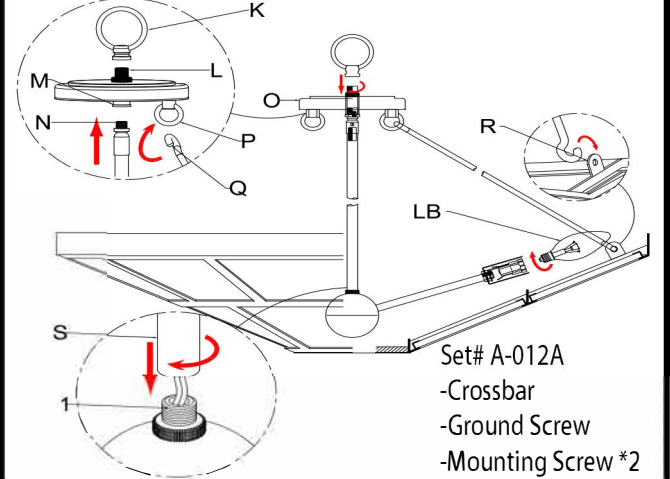


FIG. 2

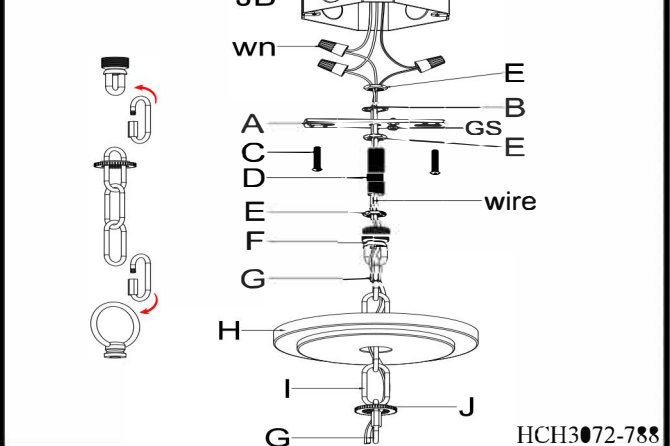


FIG. 3

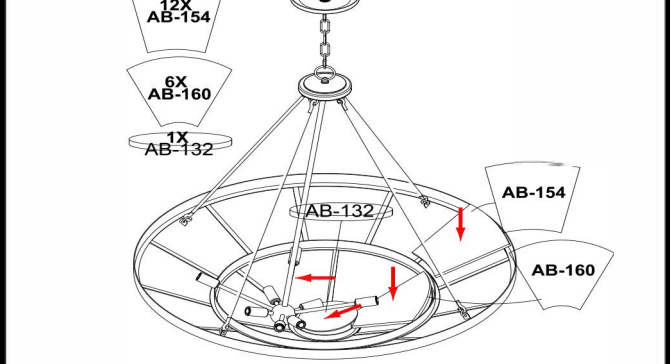
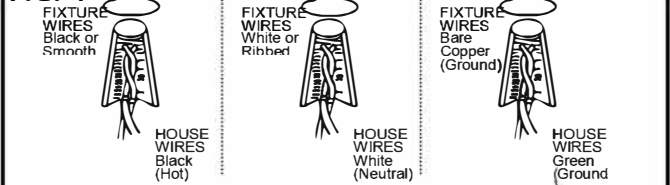


FIG. 4



Notice: It is important to use proper chain pliers (not included) to OPEN and CLOSE the chain included with this fixture. Do not open them with other tools that may twist or stress the chain links. It is important to use proper chain pliers like the ones shown in the diagram.

