

INSTALLATION INSTRUCTIONS

Item# N1884-788

READ AND SAVE THESE INSTRUCTIONS

WARNING! SHUT POWER OFF AT FUSE OR CIRCUIT BREAKER.
VERTISEMENT! COUPER LE COURANT AU NIVEAU DES FUSIBLES OU DU DISJONCTEUR.

ASSEMBLING THE FIXTURE (Fig. 1)

1. Shut off power at the fuse box or circuit breaker box and remove the old fixture including the mounting hardware.
2. Carefully unpack your new fixture and lay out all the parts in a clean area. Ensure not to misplace any small parts necessary for installation.
3. Thread the center rod (L) onto coupler (1), and slip all thread (N) along with wires onto canopy (E). Then secure with hex nut (H) and washer (I).

MOUNTING THE FIXTURE

4. Remove mounting plate (A) from canopy (E) by removing the decorative ball nuts (D) located on front of canopy (E).
5. Attach mounting plate (A) to the junction box (JB) **"Not provided"** with junction box screws (B). The side of mounting plate (A) with marked **"GND"** and two convex points must face out.

CONNECTING THE WIRES (Fig. 3)

6. Connect the electrical wire as shown in Fig. 3, making sure that all the wire connectors are secured. If your junction box has a ground wire (green, or bare copper), connect fixture's ground wire to it. Otherwise connect fixture's ground wire directly to mounting plate (A) using green screw provided.
7. Tuck wire connections neatly into junction box (JB).

FINISHING THE FIXTURE (Fig. 1)

8. To mount the fixture to the ceiling, place the 2x mounting screws (C) through the mounting holes (F) in the canopy (E).
9. While holding fixture in place, thread the two decorative ball nuts (D) at the end of the mounting screws (C) and tighten.

ACCESSORIES INSTALLATION (Fig. 2)

10. Attached the 3-stem hook (J). Then place the plate hanger (K) to brass loop (G).
11. To begin installing the accessories unwrap the alabaster stone panel and alabaster disc from their packing. Arrange them according to their shape.
12. There are 3 different shape of alabaster as shown in Fig. 2.
13. To begin installing the alabaster, push the center stem (L) to the side and place the alabaster disc (AB-119) in sideways. Then proceed with alabaster stone panel (AB-112) and lastly with the alabaster stone panel (AB-118).
14. Install 4x E12 base light bulbs (LB) up to 60 watts each or CFL or LED equivalent (Not included) in accordance with the fixture specification.

FIG. 1

Set# A-020B

-Mounting Plate

-Ground Screw

-Mounting Screw *2

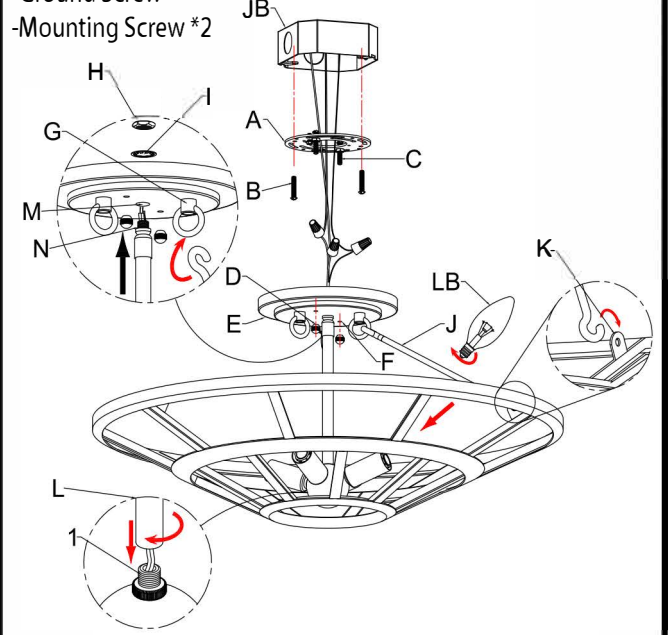


FIG. 2

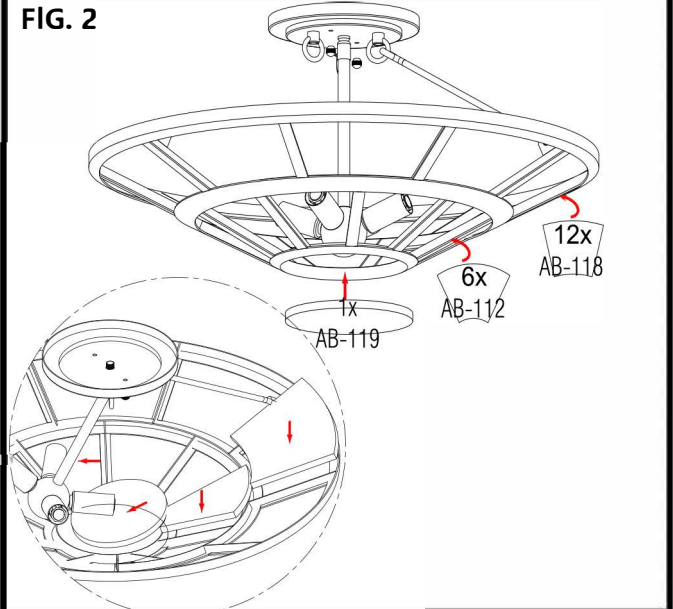


FIG. 3

FIXTURE WIRES
Black or Smooth

FIXTURE WIRES
White or Ribbed

FIXTURE WIRES
Bare Copper
(Ground)



HOUSE WIRES
Black
(Hot)



HOUSE WIRES
White
(Neutral)



HOUSE WIRES
Green
(Ground)

DO NOT EXCEED THE MAXIMUM WATTAGE RATING!
(NE PAS DEPASSER LA PUISSANCE NOMINALE MAXIMALE!)

Your installation is now complete. You can now turn the power ON and test the fixture.

Note: Illustration (Fig. 1) on this manual is for installation purposes only. It may or may not be identical to the fixture purchased.

