

# INSTALLATION INSTRUCTIONS

Item# N1881-788

READ AND SAVE THESE INSTRUCTIONS

WARNING! SHUT POWER OFF AT FUSE OR CIRCUIT BREAKER  
VERTICALEN TOEGEVOEGE CURANAL INVAAL DESKIBS OUD DISONCTER

## ASSEMBLING THE FIXTURE (Fig. 1)

1. Shut off power at the fuse box or circuit breaker box and remove the old fixture including the mounting hardware.
2. Carefully unpack your new fixture and lay out all the parts in a clean area. Ensure not to misplace any small parts necessary for installation.

## MOUNTING THE FIXTURE

3. To begin, it will be necessary to disassemble the fixture first, remove screw (G) from the backplate (E). Then, remove mounting plate (A) from the backplate (E) by removing decorative ball nuts (D) located on front of backplate.
4. Attach mounting plate (A) to the junction box (JB) **“Not provided”** with junction box screws (B). The side of mounting plate (A) with marked **“GND”** and two convex points must face out.

## CONNECTING THE WIRES (Fig. 3)

5. Connect the electrical wire as shown in Fig. 3, make sure that all the wire connectors are secured. If your junction box has a ground wire (green, or bare copper), connect fixture's ground wire to it. Otherwise connect fixture's ground wire directly to mounting plate (A) using green screw provided.
6. Tuck wire connections neatly into junction box (JB).

## ACCESSORIES INSTALLATION (Fig. 2)

7. To begin installing the accessories unwrap the alabaster stone panels from their packing. Arrange them according to their shape.
8. There are 2 different shape of alabaster as shown in Fig. 2.
9. It will be easier if you start installing the alabaster stone panels with AB-115A to AB-115. Slide the alabaster stone panel (AB-115A) in sideways and lock it with clip. Then install alabaster stone panel (AB-115) and secure it with clip as shown in Fig. 2.

## FINISHING THE FIXTURE (Fig. 1)

10. To mount the fixture to the wall, slip the two mounting screws (C) through mounting holes (F) in the backplate (E).
11. While holding the fixture in place, thread the two decorative ball nuts (D) at the end of mounting screws (C) and tighten.
12. Install 1x E12 base light bulb (LB) up to 60 watts each or CRL or LED equivalent (Not included) in accordance with the fixture specification.
13. Attach frame (1) to backplate (E) and secure frame at the top with screw (G).

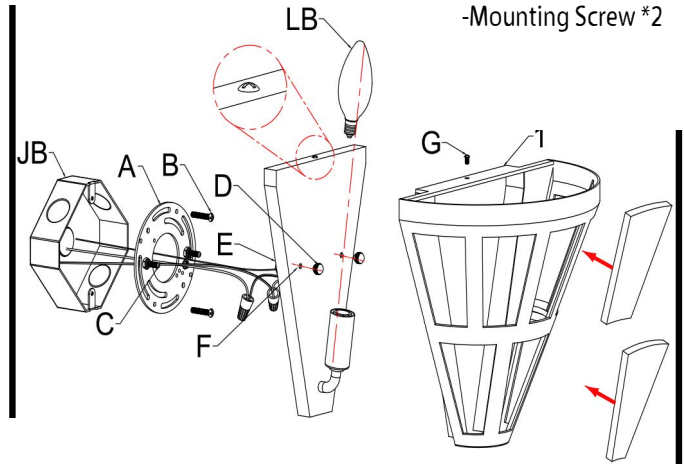
### DO NOT EXCEED THE MAXIMUM WATTAGE RATING!

(NE PAS DEPASSER LA PUISSANCE NOMINALE MAXIMALE!)

Your installation is now complete. You can now turn the power ON and test the fixture.

**Note:** Illustration (Fig. 1) on this manual is for installation purposes only. It may or may not be identical to the fixture purchased.

FIG. 1



Set# A-020B  
-Mounting Plate  
-Ground Screw  
-Mounting Screw \*2

FIG. 2

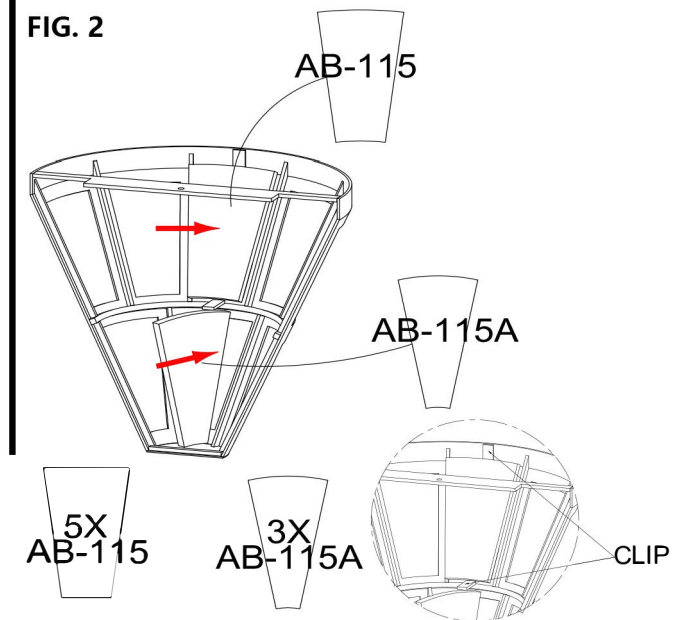


FIG. 3

