

INSTALLATION INSTRUCTIONS

Item#N1848-776 (New.07/29/2024)

READ AND SAVE THESE INSTRUCTIONS

WARNING! SHUT POWER OFF AT FUSE OR CIRCUIT BREAKER.

AVERTISSEMENT! COUPER LE COURANT AU NIVEAU DES FUSIBLES OU DU DISJONCTEUR.

PREPARATION (Fig. 1)

1. Shut off power at the fuse box or circuit breaker box and remove the old fixture including the mounting hardware.
2. Carefully unpack your new fixture and lay out all the parts in a clean area. Take care not to misplace any small parts necessary for installation.
3. Install 1/4" IPS pipe (Not provided) with one end securely mounted to beam of a structural member. The other end should protrude through the center of the junction box (Not provided) as shown in Fig.1. Thread hickey (M) to the 1/4" IPS pipe with hex nut (N).

ASSEMBLING THE FIXTURE (Fig. 1 & Fig.3)

4. Determine the desired hanging height. Pass the wires carefully through rods (E1,E2) and swivel (J), thread rods (E1,E2) on coupling (F) and secure rods (E1 ,E2) on swivel (J) of canopy (C).
5. Feed the wires and safety cable (P) through one hex nut (R), crossbar (A), another hex nut (R) and 1/4" IPS pipe (Q), then secure 1/4" IPS pipe (Q) into hickey (M) with hex nut (R). Adjust the length of 1/4" IPS pipe (Q) if necessary. Then allow safety cable (P) to exit through the side of hickey (M). Run safety cable (P) through the hickey (M) open hole and secure safety cable (P) with set screw assembly (O) (Provided).

CONNECTING THE WIRES (Fig. 2)

6. Connect the electrical wires as shown in Fig.2, making sure that all wire connectors are secured. If junction box has a ground wire (green or bare copper), connect the fixture's ground wire to it. Otherwise, connect the fixture's ground wire directly to crossbar (A) using the green screw provided.
7. Tuck the wire connectors neatly into the junction box.
8. Attach crossbar (A) to the junction box (Not included) and thread crossbar (A) into 1/4" IPS pipe (Q) then secure with junction box screws (B) and hex nut (R). The side of the mounting plate (A) marked with "GND" and two convex points must face out.

COMPLETING THE INSTALLATION (Fig. 1)

9. Raise canopy (C) and attach to crossbar (A), then secure with decorative knobs (D).
10. Place screws (K) through metal frame (G), attach alabaster piece (H) and plastic washer (L) on metal frame (G), then secure with decorative knobs (I). Do not over tighten.
11. Install (12) twelve candelabra base bulbs up to 60 watts each or CFL or LED equivalent (not included) in accordance with the fixture specification—**DO NOT EXCEED THE MAXIMUM WATTAGE RATING! (NE PAS DEPASSER LA PUISSANCE NOMINALE MAXIMALE!)**

WARNING:

PLEASE ADJUST THE HEIGHT AND DISTANCE OF THE OF ALABASTER PIECES AFTER INSTALLATION OF ALABASTER.

THIS LUMINAIRE MUST BE MOUNTED OR SUPPRTED INDEPENDENT OF AN OUTLET BOX.

Your installation is now complete. Return power to the junction box and test the fixture.

Note: Illustration (Fig. 1) on this manual is for installation purposes only. It may or may not be identical to the fixture purchased.

Fig. 1

Set#A-020-A Candle Cover# CCV22050P-776
 Crossbar x 1pc
 Ground Screw x 1pc
 Junction box Screw x 2pcs

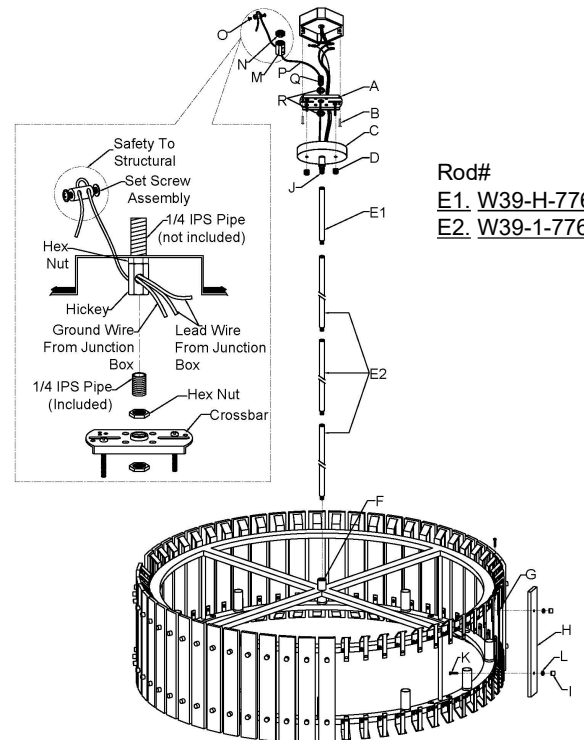


Fig. 2

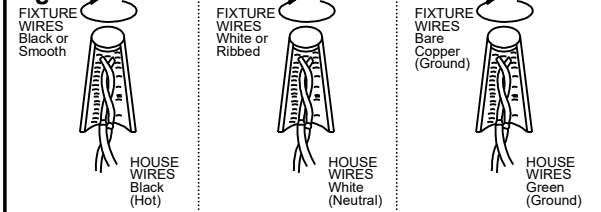
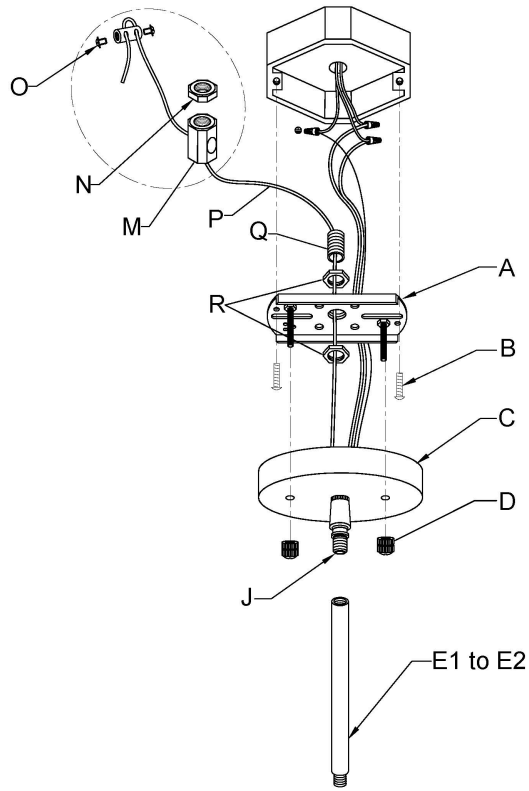
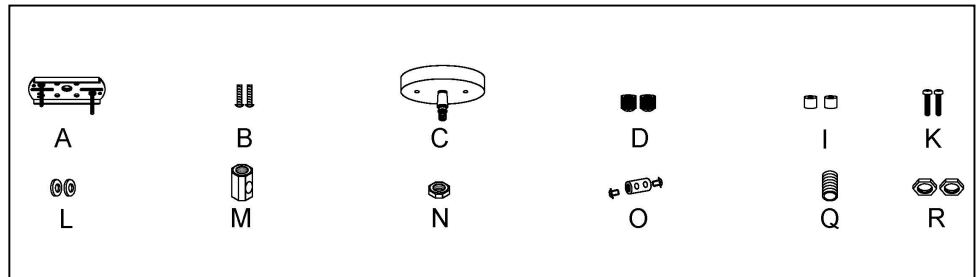


Fig.3



a. Hardware Bag

- A. Crossbar x 1pc
- B. Junction Box
Screw x 2pcs
- C. Canopy x 1pc
- D. Decorative Knob x 2pcs
- I. Decorative Knob x 116pcs
- K. Screw x 116pcs
- L. Plastic Washer x 116pcs
- M. Hickey x 1pc
- N. Hex Nut x 1pc
- O. Set Screw Assembly x 1pc
- Q. 1/4 IPS Pipe x 1pc
- R. Hex Nut x 2pcs



b. Hardware Bag

- E1. Rod 6" x 1pc
- E2. Rod 12" x 3pcs

