

INSTALLATION INSTRUCTIONS

Item#N1847-776 (New.07/29/2024)

READ AND SAVE THESE INSTRUCTIONS

WARNING! SHUT POWER OFF AT FUSE OR CIRCUIT BREAKER.

AVERTISSEMENT! COUPER LE COURANT AU NIVEAU DES FUSIBLES OU DU DISJONCTEUR.

PREPARATION (Fig. 1)

1. Shut off power at the fuse box or circuit breaker box and remove the old fixture including the mounting hardware.
2. Carefully unpack your new fixture and lay out all the parts in a clean area. Take care not to misplace any small parts necessary for installation.

ASSEMBLING THE FIXTURE (Fig.1 & Fig.3)

3. Determine the desired hanging height. Pass the wires carefully through rods (E1,E2) and swivel (J), thread rods (E1,E2) on coupling (F) and secure rods (E1 ,E2) on swivel (J) of canopy (C).
4. Attach mounting plate (A) to the junction box (Not included) with junction box screws (B) (Size: #8-32N*L1").The side of the mounting plate (A) marked with "GND" and two convex points must face out.
5. Support cable is provided to support weight of fixture while wiring. Align fixture to mounting plate (A) and attach hook (K) on the end of support cable into a slot located on mounting plate (A). Carefully allow support cable to support weight of fixture while wiring (Fig.1 & Fig3).

CONNECTING THE WIRES (Fig. 2)

6. Connect the electrical wires as shown in Fig.2, making sure that all wire connectors are secured. If junction box has a ground wire (green or bare copper), connect the fixture's ground wire to it. Otherwise, connect the fixture's ground wire directly to mounting plate (A) using the green screw provided.
7. Tuck the wire connectors neatly into the junction box.

COMPLETING THE INSTALLATION (Fig. 1)

8. Raise canopy (C) and attach to mounting plate (A), then secure with decorative knobs (D).
9. Place screws (L) through metal frame (G), attach alabaster piece (H) and plastic washer (M) on metal frame (G), then secure with decorative knobs (I). Do not over tighten.
10. Install (8) eight candelabra base bulbs up to 60 watts each or CFL or LED equivalent (not included) in accordance with the fixture specification—**DO NOT EXCEED THE MAXIMUM WATTAGE RATING! (NE PAS DEPASSER LA PUISSANCE NOMINALE MAXIMALE!)**

WARNING:

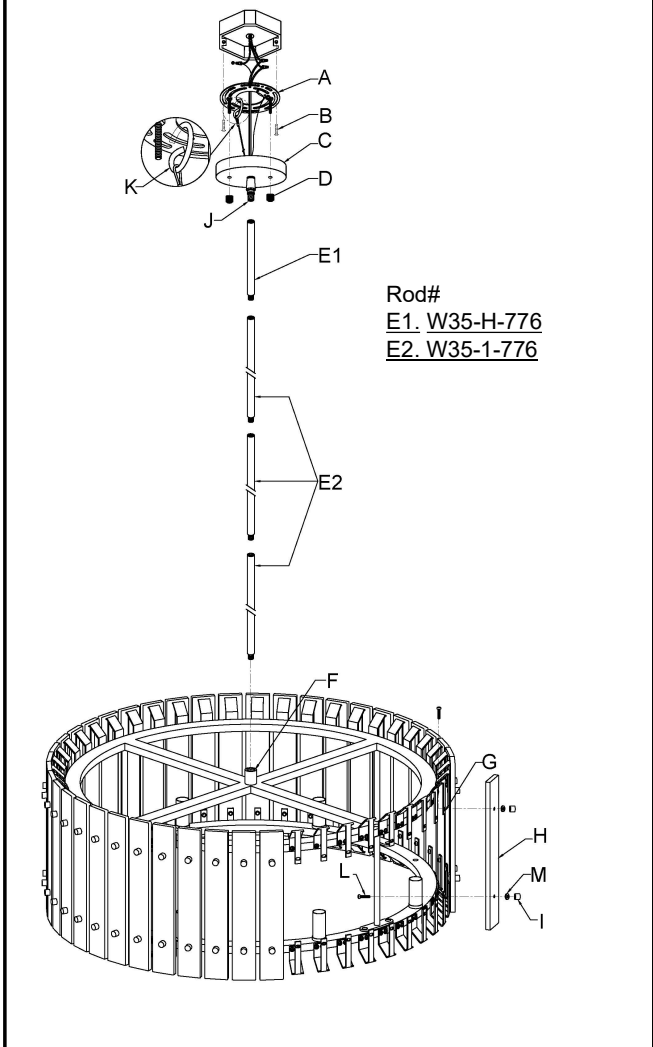
PLEASE ADJUST THE HEIGHT AND DISTANCE OF THE OF ALABASTER PIECES AFTER INSTALLATION OF ALABASTER.

Your installation is now complete. Return power to the junction box and test the fixture.

Note: Illustration (Fig. 1) on this manual is for installation purposes only. It may or may not be identical to the fixture purchased.

Fig. 1

Set#A-020-A Candle Cover# CCV22050P-776
 Mounting Plate x 1pc
 Ground Screw x 1pc
 Junction box Screw x 2pcs



Rod#
E1. W35-H-776
E2. W35-1-776

Fig. 2

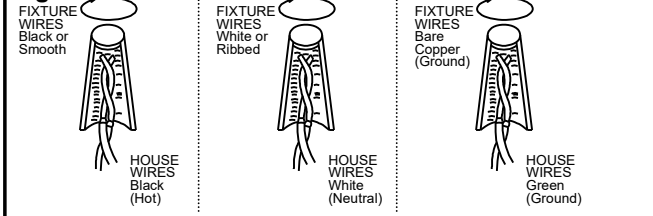
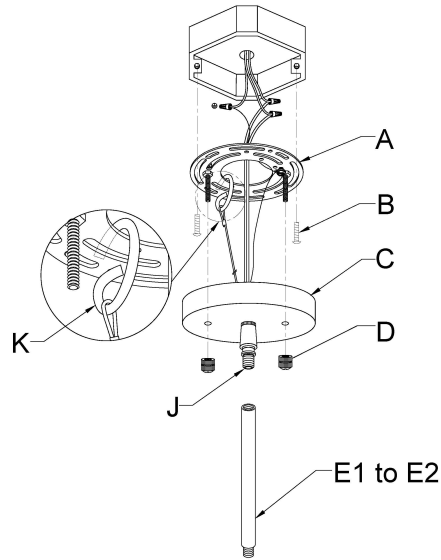
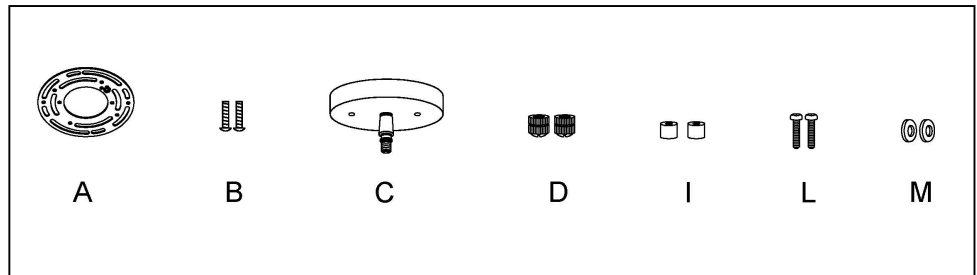


Fig.3



a. Hardware Bag

- A. Mounting Plate x 1pc
- B. Junction Box
Screw x 2pcs
- C. Canopy x 1pc
- D. Decorative Knob x 2pcs
- I. Decorative Knob x 92pcs
- L. Screw x 92pcs
- M. Plastic Washer x 92pcs



b. Hardware Bag

- E1. Rod 6" x 1pc
- E2. Rod 12" x 3pcs

