

# INSTALLATION INSTRUCTIONS

Item#N1696-863

## READ AND SAVE THESE INSTRUCTIONS

**WARNING! SHUT POWER OFF AT FUSE OR CIRCUIT BREAKER.**  
**VERTISSEMENT! COUPER LE COURANT AU NIVEAU DES FUSIBLES OU DU DISJONCTEUR.**

### PREPARATION THE FIXTURE

1. Shut off power at the fuse box or circuit breaker box and remove the old fixture including the mounting hardware.
2. Carefully unpack your new fixture and lay out all the parts in a clean area. Take care not to misplace any small parts necessary for installation.
3. Position mounting plate (A) on ceiling and mark location of the four mounting holes. Pre-drill holes for plastic anchors (Y). Insert plastic anchors (Y) into ceiling.
4. Attach mounting plate (A) to junction box (Not included) using junction box screws (X). The side of mounting plate marked "GND" must face out.
5. Secure mounting plate (A) by inserting wood screws (C) through holes on mounting plate (A) into plastic anchors (Y).
6. Press wire restraint to adjust the desired length of cable (Fig.1).
7. The support cable is provided to support the weight of fixture while wiring. Align fixture to mounting plate (A) and attach hook on the end of support cable into a slot located on mounting plate (A). Carefully allow the support cable to support the weight of the fixture while wiring (Fig.1).

### CONNECTING THE WIRES

8. Connect the electrical wires as shown in Fig.2. Making sure that all wire connectors (F) are secured. If your junction box has a ground wire (green or bare copper), connect fixture's ground wire to it. Otherwise, connect fixture's ground wire directly to mounting plate (A) using green screw provided.

### COMPLETING THE INSTALLATION

9. Attach canopy (B) to mounting plate (A) and tighten with canopy screw (D).
10. Install (6) six medium base bulbs (J) up to 40 watts or CFL or LED equivalent (not included) in accordance with the fixture's specification. **DO NOT EXCEED THE MAXIMUM WATTAGE RATING! (NE PAS DEPASSER LA PUISSANCE NOMINALE MAXIMALE!).**

Your installation is now complete. Return power to the junction box and test the fixture.

**Note: Illustration (Fig. 1) on this manual is for installation purposes only. It may or may not be identical to the fixture purchased.**

Fig. 1

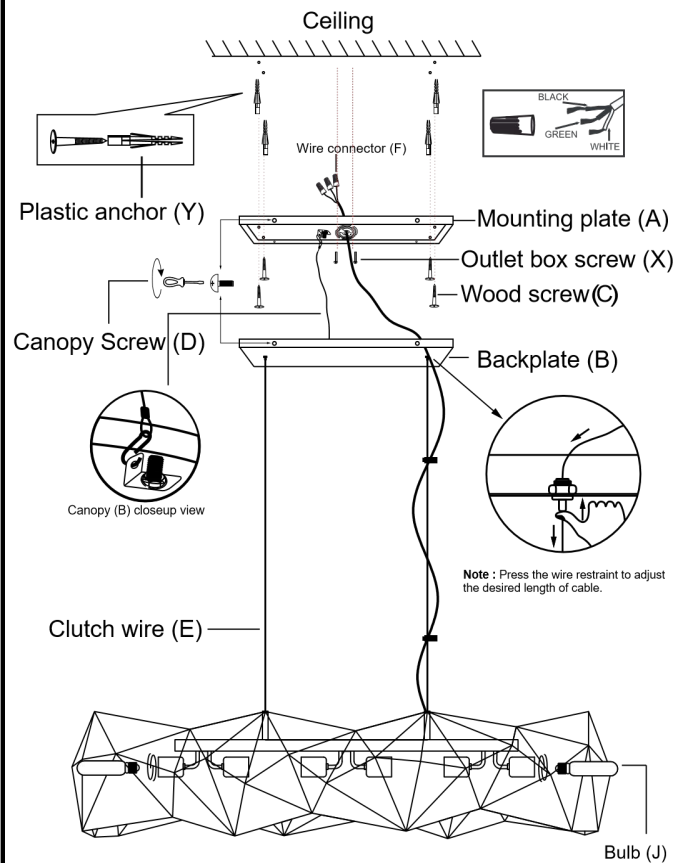


FIG.2

