

INSTALLATION INSTRUCTIONS

Item#N1692-863

READ AND SAVE THESE INSTRUCTIONS

WARNING! SHUT POWER OFF AT FUSE OR CIRCUIT BREAKER.
VERTISSEMENT! COUPER LE COURANT AU NIVEAU DES FUSIBLES OU DU DISJONCTEUR.

PREPARATION THE FIXTURE

1. Shut off power at the fuse box or circuit breaker box and remove the old fixture including the mounting hardware.
2. Carefully unpack your new fixture and lay out all the parts in a clean area. Take care not to misplace any small parts necessary for installation.
3. Thread mounting screws (I) into pre-drilled holes in mounting plate (A), spaced the same distance apart as holes on backplate (E). The length of mounting screws (I) may be adjusted if necessary.
4. Attach mounting plate (A) to junction box (Not included) using junction box screw (C). The side of mounting plate (A) marked "GND" must face out.

CONNECTING THE WIRES

5. Connect the electrical wires as shown in Fig.2. Making sure that all wire connectors (F) are secured. If your junction box has a ground wire (green or bare copper), connect fixture's ground wire to it. Otherwise, connect fixture's ground wire directly to mounting plate (A) using green screw provided.

COMPLETING THE INSTALLATION

6. Attach backplate (E) to mounting screws (I) and tighten with decorative nut (H).
7. Install (2) two medium base bulbs (J) up to 40 watts or CFL or LED equivalent (not included) in accordance with the fixture's specification. **DO NOT EXCEED THE MAXIMUM WATTAGE RATING! (NE PAS DEPASSER LA PUISSANCE NOMINALE MAXIMALE!).**
8. Attach frame (D) to backplate (E) from the top to bottom according to Fig.1 illustration.

Your installation is now complete. Return power to the outlet box and test the fixture.

Note: Illustration (Fig. 1) on this manual is for installation purposes only. It may or may not be identical to the fixture purchased.

Fig. 1

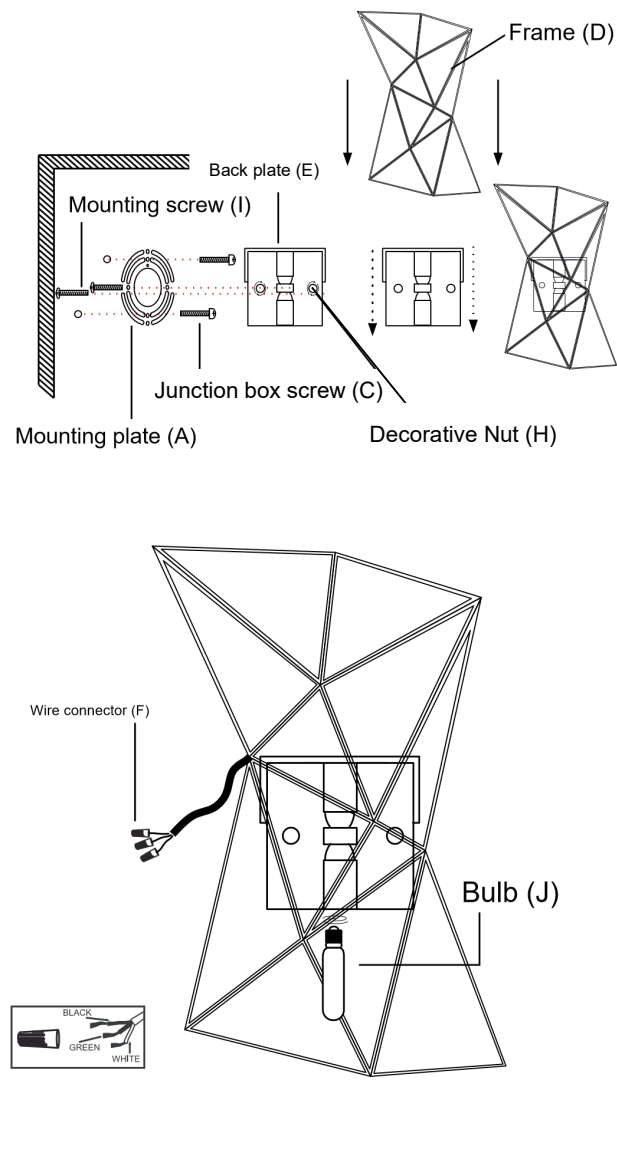


FIG.2

