

**BE SURE TO FOLLOW ALL STEPS IN THE ORDER GIVEN.  
BE SURE POWER IS OFF AT FUSE, OR CIRCUIT BREAKER BOX.**

**CAUTION:** Before starting installation, disconnect the power by turning off the circuit breaker or removing the fuse at fuse box.

1. Remove and discard the center plug from the switch cup. Attach the light kit to the switch cup by feeding the wires and threading the light kit through the hole of the switch cup, secure it to the switch cup by nut & lock washer. Be sure it is tight enough to prevent the light kit from vibrating loose. (Fig. 1)
2. Locate two single white and blue wires in the switch cup labeled "FOR LIGHT".
3. Make the wire connections as follows and secure with the wire nuts provided:
  - Connect white wire from switch cup to white wire from light kit
  - Connect blue wire from switch cup to black wire from light kit
4. Remove the screws from the switch cup plate. While holding the switch cup, firmly snap the wire molexes together. (Fig. 2)
5. Slide the switch cup up over the switch cup plate and rotate until the screw holes are aligned. Secure the switch cup with three screws previously removed. (Fig. 2)

**CAUTION:** Make sure that the wires are not pinched between the switch cup and the switch cup plate.

6. Install 3 x 4W LED bulbs (included).
7. Remove the decorative nut, glass cap, metal nut, metal washer and rubber washer from the light kit. Place glass shade over the light kit stem, secure with the rubber washer, metal washer, metal nut, glass cap and decorative nut. Do not overtighten. (Fig. 3)

**Note:** Make sure to leave enough space between the fan pull chain and the bulbs so the chain doesn't rub against any of the bulbs.

**CAUTION:** To reduce The Risk Of Fire And Electric Shock, This Light Kit Should Be Used Only With The Fan Models Listed Below:

Models: AC-542/AC-552/AC-652/AC-742.  
Manufactured By Air Cool Industrial Co, Ltd.

Approximate maximum weight: 3.53 Lbs.

Manual design and all elements of manual design are protected by U.S. Federal and/or State Law, including Patent, Trademark and/or Copyright laws.

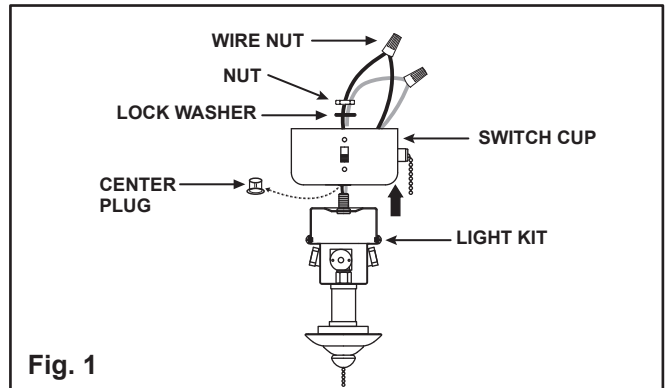


Fig. 1

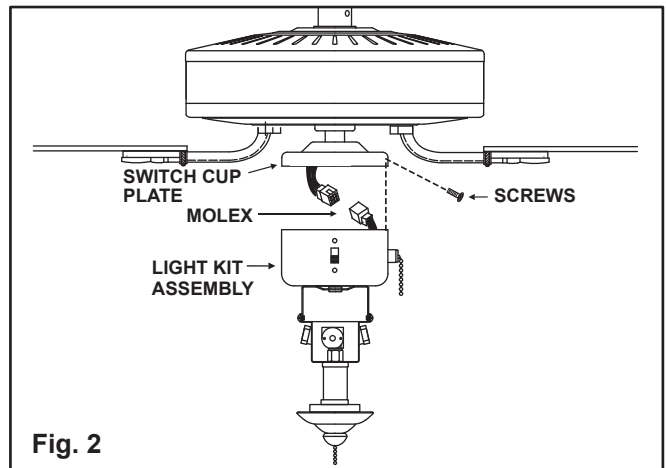


Fig. 2

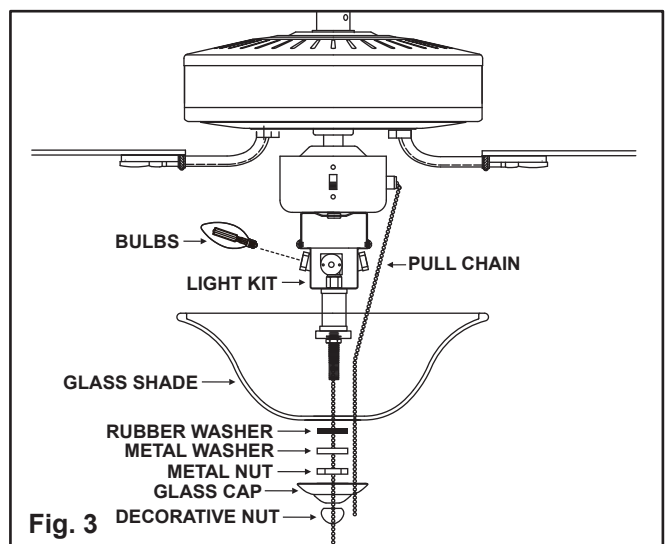


Fig. 3