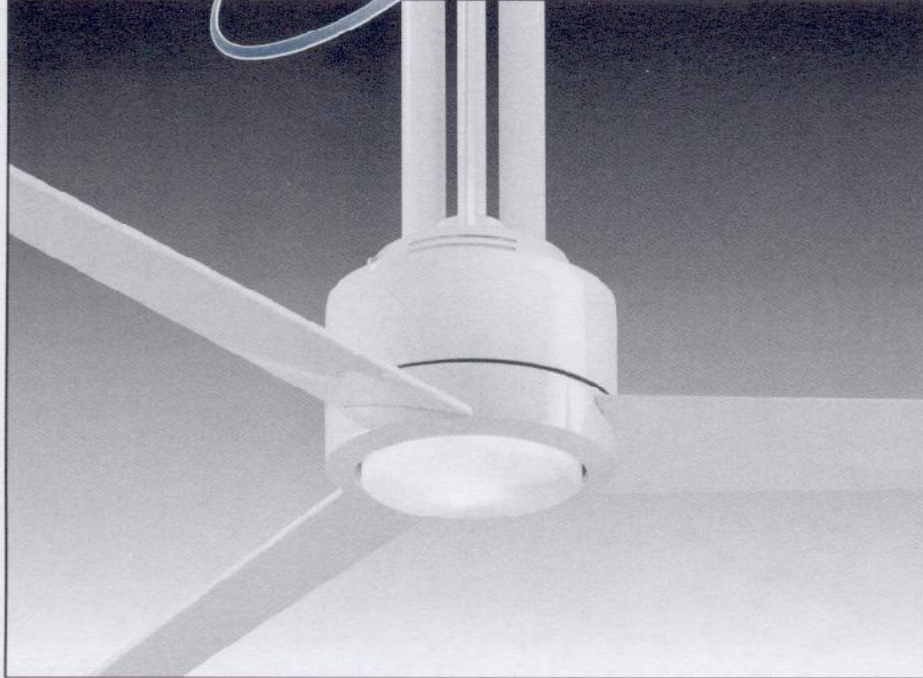


minkaAire™ Flyte™
Model No.F531



Instruction Manual

Please Read and Save Instructions

Lifetime
WARRANTY



Congratulations on your purchase of a **Minka-Aire™** ceiling fan! Your new fan will be a beautiful addition to your home, and will keep you comfortable throughout the year.

Minka-Aire™ offers a variety of ceiling fans: combinations of wood and brass finishes, solid designer colors, and unique glass and crystal designs. A large selection of light fixtures and light kits are also available. Ask your dealer about accessories that will allow you to customize your fan.

We're certain that your **Minka-Aire™** fan will provide you with many years of comfort energy savings and satisfaction. To ensure your personal safety and to maximize the performance of your fan, please read this manual thoroughly.

LIMITED LIFETIME WARRANTY

Minka-Aire™ warrants this fan to be free from defects in material and workmanship for one year from the date of purchase, except for the motor. **Minka-Aire™** warrants to the original owner that the motor in this fan shall be free from defects in material and workmanship as long as the original purchaser owns the fan. **Minka-Aire's™** only obligation under this limited warranty is to replace, repair or refund the purchase price any fan confirmed by **Minka-Aire™** to be defective in material or workmanship after such fan is returned to **Minka-Aire™** by the original purchaser along with a proof of purchase and with shipping charges prepaid. This warranty shall not apply to fans which have been damaged as a result of improper installation, removed from the original installation or subjected to use for which the fan was not designed. The customer shall be responsible for any cost of removing the old fan, installing a new fan or any other costs. This limited lifetime warranty is in lieu of all other expressed warranties. **Minka-Aire™** shall under no circumstances be liable for any incidental or consequential damages.

Date Purchased _____

Store Purchased _____

Model No. **F531** _____

Serial No. _____

CONTENTS

SAFETY FIRST	1
PACKAGE CONTENTS	2
BEGIN INSTALLATION	3
BLADE INSTALLATION	4
HANGING THE FAN	5
ELECTRICAL CONNECTIONS	6
INSTALLING THE WALL TRANSMITTER	7
FINISHING THE INSTALLATION	8
INSTALLING THE LIGHT BULB & GLASS SHADE	9
OPERATING THE WALL TRANSMITTER	10
MAINTENANCE	11
SPECIFICATIONS	12
TROUBLESHOOTING	13

minkaAire™

1151 W. Bradford Court, Corona, CA 92882
© and Patents 2000, All Rights Reserved

american
lighting
association



1. SAFETY FIRST

1. Before you begin installing the fan, **shut the power off** at the circuit breaker or the fuse box.

2. Be Cautious! Read and save all instructions and safety information before installing your new fan. Review the accompanying assembly diagrams.

3. Make sure that all electrical connections comply with local codes, ordinances, or National Electrical Codes. Hire a qualified electrician or consult a do-it-yourself wiring handbook if you are unfamiliar with installing electrical wiring.

4. Make sure the installation site you choose allows the fan blades to rotate without any obstructions. Allow a **minimum clearance of 7 feet** from the floor to the lowest edge of the blades and **18 inches** from the tip of the blade to the wall.

5. If you are mounting the fan to a ceiling outlet box, use a U.L. Listed metal octagonal outlet box marked "Acceptable for fan support". Secure the box directly to the building structure. The outlet box and its

support must be able to support the moving weight of the fan (at least 50 lbs.). **Do not use a plastic outlet box.**

6. Secure the hanger bracket using the hardware supplied with the outlet box.

7. If you are mounting the fan to a joist, make sure it is able to support the moving weight of the fan (at least 50 lbs.).

8. After you install the fan, make sure that all mountings are secured to prevent the fan from falling.

9. Do not insert anything into the fan blades while fan is operating.

10. Turn the fan off and wait for it to stop before reversing fan direction.

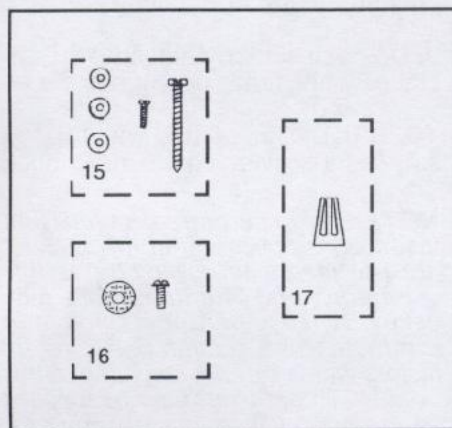
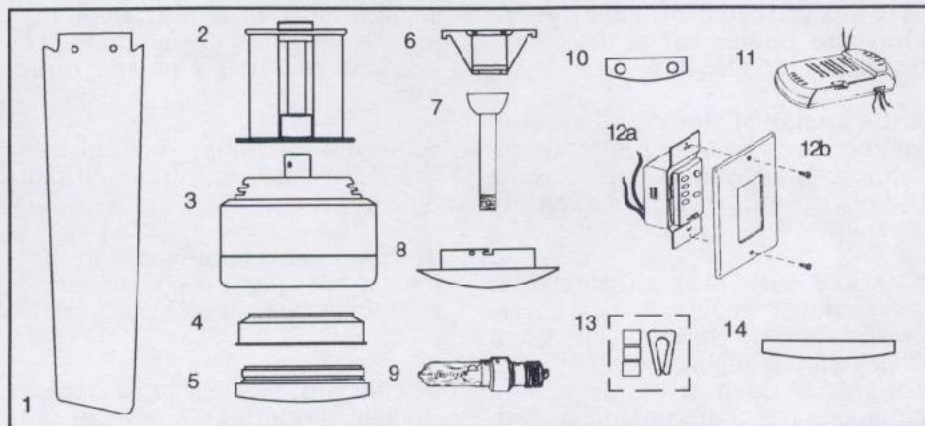
NOTE: *The important safeguards and instructions appearing in this manual are not meant to cover all possible conditions and situations that may occur. It must be understood that common sense, caution and care are factors which can not be built into this product. These factors must be supplied by the person(s) installing, caring for and operating the unit.*

WARNING

TO REDUCE THE RISK OF FIRE, ELECTRIC SHOCK, OR OTHER PERSONAL INJURY, MOUNT FAN ONLY ON A U.L. LISTED OUTLET BOX OR SUPPORTING SYSTEM MARKED ACCEPTABLE FOR FAN SUPPORT AND USE THE HARDWARE PROVIDED WITH THE OUTLET BOX. MOST OUTLET BOXES COMMONLY USED FOR SUPPORT OF LIGHTING FIXTURES ARE NOT ACCEPTABLE FOR FAN SUPPORT AND NEED TO BE REPLACED. CONSULT A QUALIFIED ELECTRICIAN IF IN DOUBT.

TO REDUCE THE RISK OF PERSONAL INJURY, DO NOT BEND THE BLADE HOLDERS WHILE INSTALLING, BALANCING THE BLADES OR CLEANING THE FAN. DO NOT INSERT FOREIGN OBJECTS BETWEEN ROTATING FAN BLADES.

PACKAGE CONTENTS 2.



Unpack your fan and check the contents. You should have the following items:

1. Fan Blades (3 pcs)
2. DownLink Assembly
3. Fan Motor Housing Assembly
4. Light Cup Plate
5. Glass Shade
6. Hanger Bracket
7. Standard 9" Downrod
8. Canopy
9. 100w Mini-Can Halogen Bulb
10. Blade Bracket Plate (3 pcs)
11. Remote Control Receiver
- 12a. Remote Control Transmitter
- 12b. Wall Plate (includes 2-6x8mm Mounting Screws)
13. Blade Balancing Kit
14. Optional Switch Cup Cover

15. Mounting Hardware:

- #10 x 2-1/2 screws (2 pcs.)
- Flat Washers (2 pcs.)
- Spring Washers (2 pcs.)
- 4mm Star Washers (2 pcs)

16. Blade Attachment Hardware:

- 3/16" x 5/8" Screws (6 pcs.)

17. Wire Nuts (7 pcs.)

3. BEGIN INSTALLATION

Tools Required: Phillips screw driver; slotted screw driver; pliers; wire cutters; electrical tape.

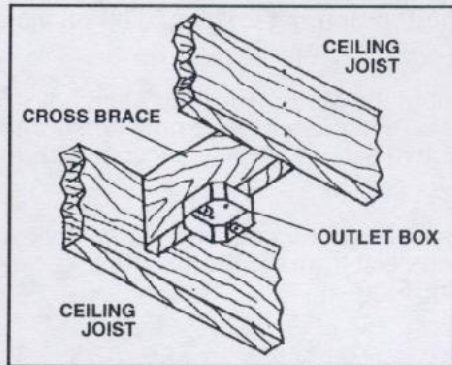


FIG. 1

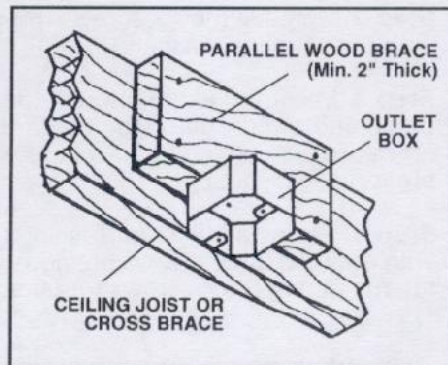


FIG. 2

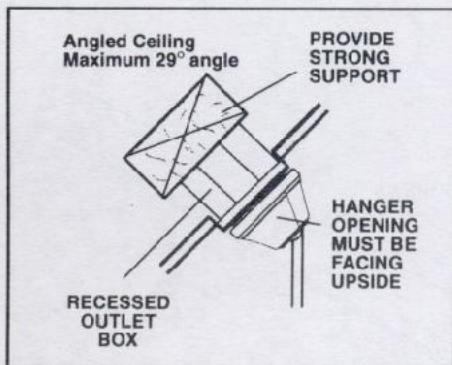


FIG. 3

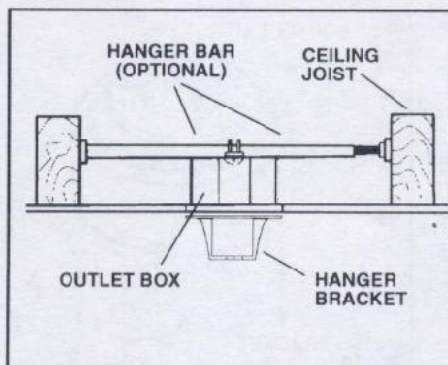


FIG. 4

MOUNTING OPTIONS

If there isn't an existing mounting box, then read the following instructions. **Shut the power off at the circuit breaker or fuse box.**

Secure the outlet box directly to the building structure. Use appropriate fasteners and building materials. The outlet box and its support must be able to fully support the moving weight of the fan (at least 50 lbs.). **Use a U.L. Listed metal outlet box marked "Acceptable for ceiling fan support". Do not use a plastic outlet box.**

Figures 1, 2 and 3 are examples of different ways to mount the outlet box. **Note:** You may need a longer downrod to maintain proper blade clearance when installing on a steep, sloped ceiling. Longer downrods are available from your **Minka-Aire™** dealer.

To hang your fan where there is an existing fixture but no ceiling joist, you may need to install a hanger bar as shown in Fig. 4 (available at your **Minka-Aire™** dealer).

BLADE INSTALLATION 4.

Step 1. Remove the bottom styrofoam packaging from the box and use it to support the Fan Motor Assembly.

Step 2. Remove the six screws from the Top Housing Cover and lift off along with the coupling washer. (Fig. 5)

Step 3. Insert the Blade through the slot in the Motor Housing. Align holes in Blade and motor, place the Blade Bracket Plate over blade making sure the holes are also aligned and secure with two screws. Repeat process with the other Blades. (Fig. 5)

Step 4. Re-install the Top Housing Cover and motor coupling washer, secure with only the three screws previously removed from the motor coupling. Save the remaining three screws for later. (Fig. 5)

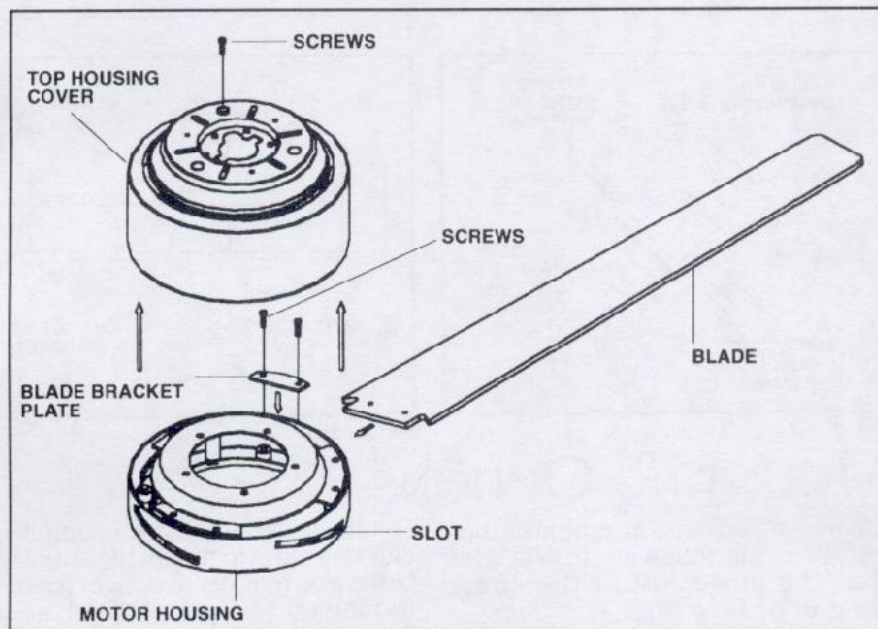


FIG. 5

5. HANGING THE FAN

REMEMBER to shut the power off at the circuit breaker or fuse box.

Step 1. Secure the hanger bracket to the ceiling outlet box using screws, lock washers, and flat washers included with the fan. (Fig. 6) Note: Optional wood screws and spring washers are provided for mounting of hanger bracket directly to building structure.

Step 2. Loosen the two set screws in the top coupling of the top housing assembly. (Fig. 7)

Step 3. Remove downrod hanger ball by loosening set screw, removing the cross pin, and sliding ball off rod. Remove the hitch pin and lock pin. (Fig. 8)

Step 4. Carefully feed fan wires up through the downrod. Insert the rod into the coupling and tighten onto fan until the holes are aligned. Next, replace lock pin and hitch pin. Tighten the set screws. (Fig. 9)

Step 5. Slip the DownLink assembly onto the Downrod (slotted plate to the bottom) align the slots from the Top Motor Housing and DownLink plate, plate should rest flat over housing. Secure with the remaining three screws previously removed. Make sure the coupling cover located between the three extrusions rests flat over the coupling and housing. (Fig. 9)

Step 6. Place the Canopy over the Downrod and allow it to rest over the DownLink. Re-install the Hanger Ball over the Downrod, secure in place by tightening the screw. (Fig. 9)

Step 7. Now lift motor assembly into position and place downrod ball into hanger bracket. Rotate until the check groove has dropped into the registration slot and seats firmly. Rod should not rotate if this is done correctly. (Fig. 10)

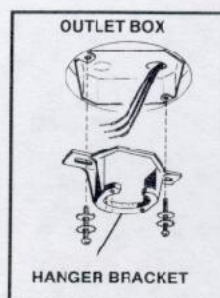


FIG. 6

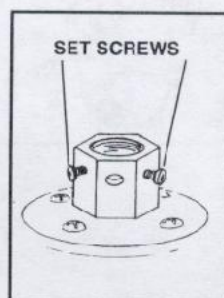


FIG. 7

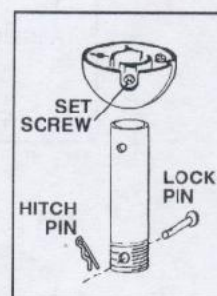


FIG. 8

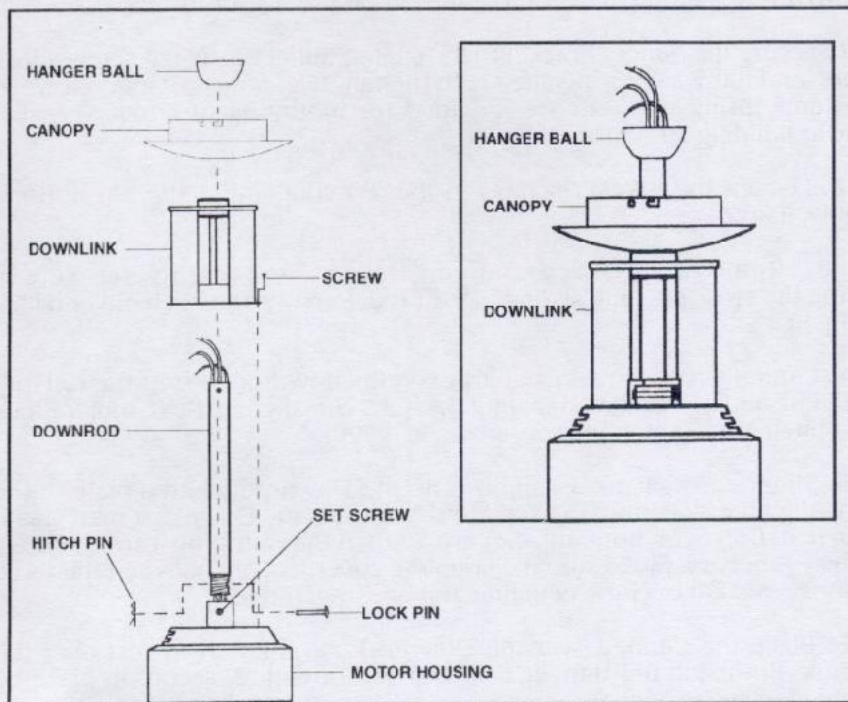


FIG. 9

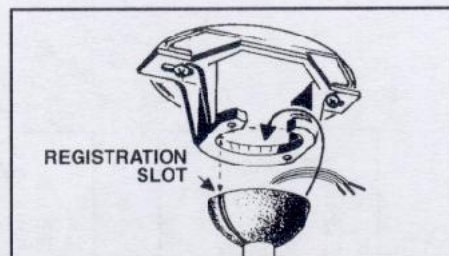


FIG. 10

6. ELECTRICAL CONNECTIONS

WARNING: To avoid possible electrical shock, be sure electricity is turned off at the main fuse box before wiring.

NOTE: (Fig. 11) This remote control unit is equipped with 16 code combinations to prevent possible interference from or to other remote units. The frequency switches on your receiver and transmitter have been preset at the factory. Please recheck to make sure the switches on wall transmitter and receiver are set to the same position, any combination of settings will operate the fan as long as the wall transmitter and receiver are set to the same position.

Step 1. (Fig. 12). Insert the receiver into the Mounting Bracket, with the flat side of the Receiver facing the ceiling.

Step 2. (Fig. 13 & 14). Motor to Receiver Electrical Connections: Connect the Black wire from the fan to the Black wire marked "To Motor L". Connect the White Wire from the fan to the White wire marked "To Motor N" from the receiver. Connect the Blue wire from the fan to the Blue wire marked "For Light" from the receiver. Secure wire connections with the plastic wire nuts provided.

Step 3. (Fig. 13 & 14). Receiver to House Supply Wires Electrical Connections: Connect the Black (hot) wire from the ceiling to the Black wire marked "AC in L" from the Receiver. Connect the White (neutral) wire from the ceiling to the White wire marked "AC in N" from the Receiver. Secure wire connections with the plastic wire nuts provided.

Step 4. (Fig. 13 & 14). If your outlet has a ground wire (green or bare copper) connect it to the Hanging and Mounting Bracket ground wires; otherwise connect the Hanging Bracket ground wire to the Mounting Bracket. Secure wire connection with a plastic wire nut provided. After connecting the wires spread them apart so that the green and white wires are on one side of the outlet box and the black and blue wires are on the other side. Carefully tuck the wire connections up into the outlet box.

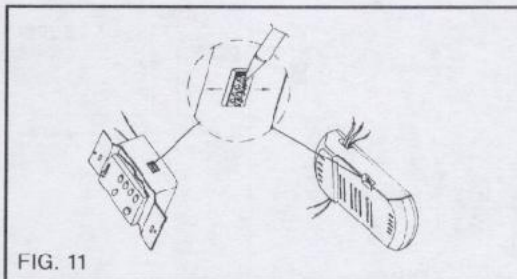


FIG. 11

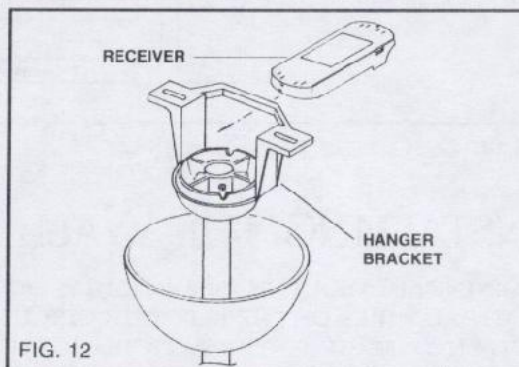


FIG. 12

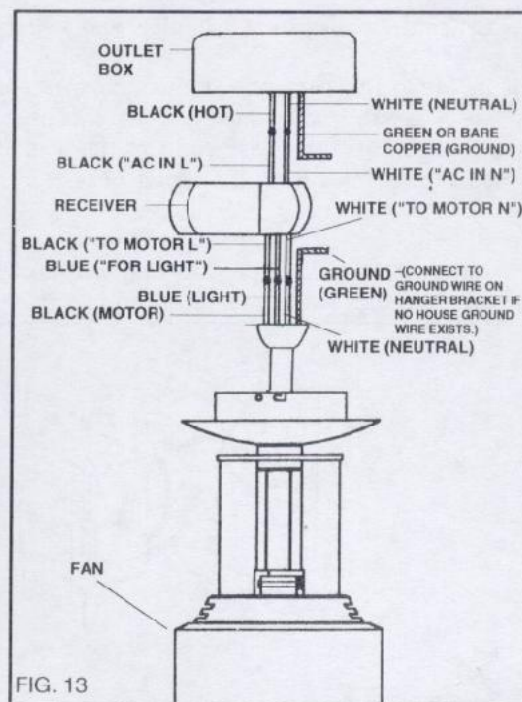


FIG. 13

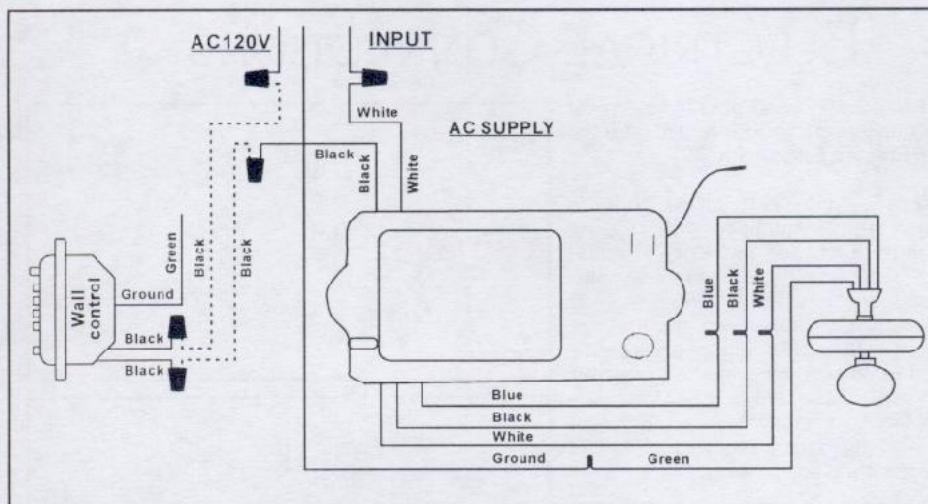


FIG 14

INSTALLING THE WALL TRANSMITTER 7.

WARNING: HOOK UP IN "SERIES ONLY" DO NOT CONNECT THE HOT AND NEUTRAL WIRES OF THE ELECTRIC CIRCUIT TO THE TRANSMITTER WALL SWITCH DAMAGE TO THE SWITCH AND POSSIBLE FIRE COULD OCCUR.

Step 1. Remove the existing wall plate and switch from the wall junction box.

Step 2. Make the electrical connections as shown in (Fig. 14). If your outlet box has a ground wire (green or bare copper) connect the wall transmitter's ground wire to it; otherwise connect the wall transmitter's ground wire directly to one of the screws from the outlet box.

Step 3. (Fig. 15). Carefully tuck the wire connectors inside the junction box. Secure the wall transmitter with the two screws provided. Attach the decorator faceplate over the wall transmitter and secure with the two screws provided.

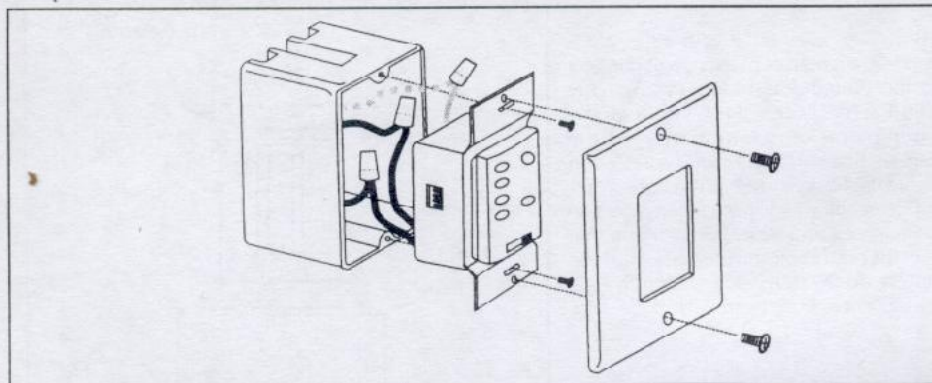


FIG 15

8. FINISHING THE INSTALLATION

Step 1. After the splices are made, spread the wires apart so that the green and white wires are one side of the outlet box and the black wire (and the blue wire if light kit is installed) are on the other side of the outlet box. Turn splices upward and tuck them carefully into outlet box.

Step 2. Remove two of the four screws from the Hanging Bracket, loosen the other two screws but do not remove. Slide the Canopy up against the ceiling, engage the Canopy key holes onto the two screws left attached to the Hanging Bracket. Turn the Canopy until the holes are aligned. Install the other two screws previously removed and securely tighten all four screws. (Fig. 16)

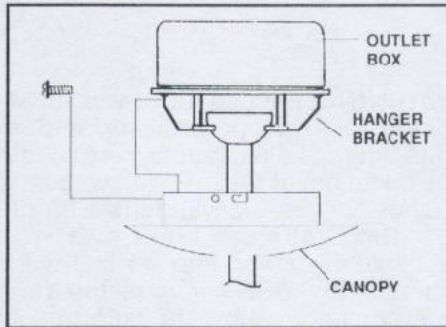


FIG. 16

INSTALLING THE LIGHT BULB & GLASS SHADE 9.

WARNING: Shut off the power supply before removing or replacing lamp. In handling of halogen bulb, care should be taken not to touch it with your bare hands. Oil residue will shorten the life of the halogen bulb. If you accidentally come into contact, wipe thoroughly with a clean, lint-free, cotton cloth. Allow the bulb to cool for 10 minutes before changing the bulb. Use light bulb in accordance with the fan's specification. **DO NOT EXCEED THE MAXIMUM WATTAGE RATING.**

Step 1. Remove one of the three screws from the bottom of the Motor Housing, loosen the other two screws but do not remove. Bring the Light Cup Plate close to the Motor Housing, pass the two wires from the motor through the access hole of the Light Cup Plate.

Step 2. Place the Light Cup Plate over the two screws previously loosened via the two key holes and turn until the third round hole lines up. Secure with the screw previously removed, tighten the other two screws. At this time make the wire connections by snapping the connectors together. Neatly tuck the excess wire behind the bulb bracket.

Step 3. Install the Halogen Bulb into the bulb socket.

Step 4. Install the Glass Diffuser over the Light Cup Plate, gently turn until it locks into place and is firm; **DO NOT OVERTIGHTEN.**

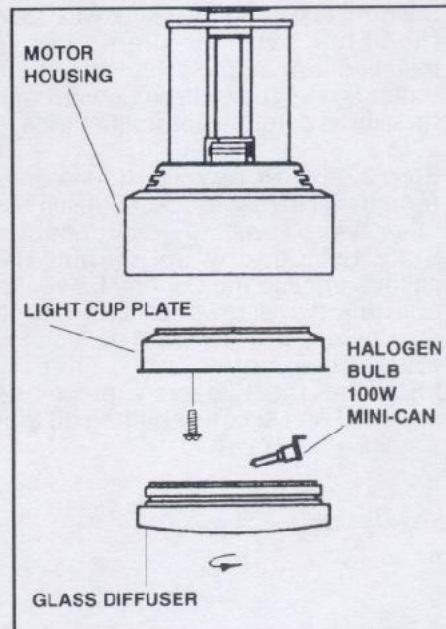


FIG. 17

10. OPERATING THE WALL TRANSMITTER

Restore power to ceiling fan and test for proper operation.

A. HI, ME and LO buttons:
These three buttons are used to set the fan speed as follows;
HI=High Speed
MED=Medium Speed
LOW=Low Speed

B. "FAN OFF" button:
This button turns the fan off.

C. The "LIGHT" button turns the light ON or OFF and also controls the brightness setting. Press and release the button to turn the light ON or OFF. Press and hold the button to set the desired brightness. The light will cycle continuously between bright and dim setting as long as the button is held down. The light key has an auto-resume, it will stay at the same brightness as the last time it was turned off.

D. The Slide "OFF-ON" button turns all power off-on to fan and light.

Speed settings for warm or cool weather depend on factors such as the room size, ceiling height, number of fans, etc.

The Reverse switch is located on the top of the motor assembly. Slide the switch to the Left for warm weather operation. Slide the switch to the Right for cool weather operation.

NOTE: Wait for fan to stop before changing the setting of the slide switch.

Warm weather - (Clockwise) A downward air flow creates a cooling effect as shown in (Fig. 18). This allows you to set your air conditioner on a warmer setting without affecting your comfort.

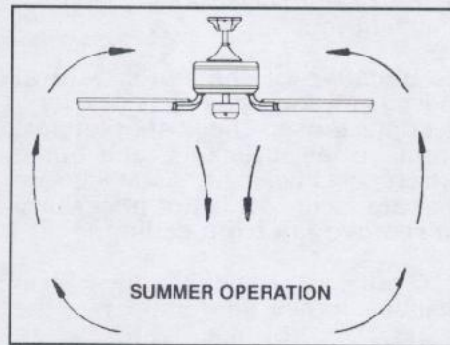


FIG. 18

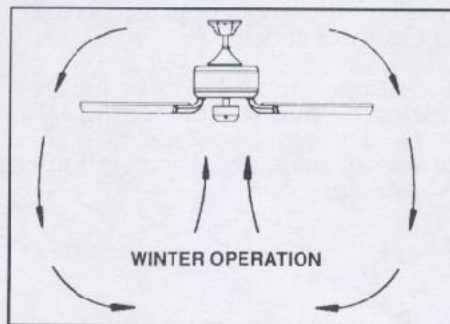


FIG. 19

Cool weather - (Counter Clockwise) An upward airflow moves warm air off the ceiling area as shown in (Fig. 19). This allows you to set your heating unit on a cooler setting without affecting your comfort.

MAINTENANCE 11.

Here are some suggestions to help you maintain your fan.

1. Because of the fan's natural movement, some connections may become loose. Check the support connections, brackets, and blade attachments twice a year. Make sure they are secure. **(It is not necessary to remove fan from ceiling.)**

2. Clean your fan periodically to help maintain its new appearance over the years. Do not use water when cleaning. This could damage the motor, or the wood, or possibly cause an electrical shock.

3. Use only a soft brush or lint-free cloth to avoid scratching the finish. The plating is sealed with a lacquer to minimize discoloration or tarnishing.

4. You can apply a light coat of furniture polish to the wood for additional protection and enhanced beauty. Cover small scratches with a light application of shoe polish.

5. **There is no need to oil your fan.** The motor has permanently lubricated bearings.

6. All glass should be cleaned using lukewarm soapy water and a soft cloth or sponge. **DO NOT IMMERSE GLASS IN HOT WATER. DO NOT PUT GLASS INTO AN AUTOMATIC DISHWASHER.**

WARNING

Make sure the power is off at the electrical panel box before you attempt any repairs. Refer to the section, "Making Electrical Connections".

SPECIFICATIONS 12.

Fan Size	Speed	Volts	Amps	Watts	RPM	CFM	N.W.	G.W.	V.
56"	Low	120	0.26	17	78	2800			
	Med	120	0.44	44	136	4300	25.1	27.8	1.91
	High	120	0.56	70	175	6700	lbs.	lbs.	cf.

These are typical readings. Your actual fan may vary.

13. TROUBLESHOOTING

Problem

Solution

Fan will not start.

1. Check fuses or circuit breakers.
2. Check line wire connections to fan and switch wire connections in switch housing.
CAUTION: Make sure main power is off.
3. Check frequency settings on receiver and remote control to be sure they are set the same. You may need to change to a different frequency setting if interference occurs.

Fan sounds noisy.

1. Allow a 24-hour "break-in" period. Most noises associated with a new fan go away during this time.
2. Make sure all motor housing screws are snug.
3. Make sure the screws that attach the fan blade to the motor hub are tight.
4. Some fan motors are sensitive to signals from solid-state variable speed controls. If you have installed this type of control, choose and install another type of control.

Fan Wobble

1. Check that all blade screws are secured.
2. Use the enclosed blade balancing kit if blade wobble is still excessive. (See instructions included with the balancing kit.)

NOTE: All blades sets are grouped by weight. Because natural woods vary in density, the fan may wobble even though blades are weight matched.