

# INSTALLATION INSTRUCTIONS

Model# 8831-66-L/8832-66-L

**WARNING! SHUT POWER OFF AT FUSE OR CIRCUIT BREAKER.**

**AVERTISSEMENT! COUPER LE COURANT AU NIVEAU DES FUSIBLES OU DU DISJONCTEUR.**

## PREPARING FOR INSTALLATION (Fig. 1)

1. Shut off power at the fuse box or circuit breaker box and remove the old fixture including the mounting hardware.
2. Carefully unpack your new fixture and lay out all the parts in a clear area. Take care not to misplace any small parts necessary for installation.
3. Attach mounting plate (C) using outlet box screws (D) to the outlet box (A) (not included). The side of mounting plate marked "GND" must face out. (Fig 1)

## CONNECTING THE WIRES (Fig. 2)

4. Connect electrical wires as shown in Fig.2 making sure that all wire connectors (B) are secured. If your outlet box (A) has a ground wire (green or bare copper), connect fixture's ground wire to it. Otherwise, connect fixture's ground wire directly to mounting plate (C) using green screw provided.
5. Tuck wire connectors neatly into the outlet box (A).

## COMPLETTING THE INSTALLATION (Fig. 1)

6. Align back plate (G) to mounting plate (C) and secure with rubber washers (F) and screws (E).
7. To prevent moisture from entering outlet box (A) and causing a short, use clear silicone sealant to outline the outside of fixture back plate (G) where it meets wall leaving a space at the bottom to allow moisture a means to escape. (Fig.3)

## Replacing LED module (Fig.4)

The LED module can be replaced by a qualified electrician without cutting of wire and without damage to any decorative element to which the fixture is attached. See installation steps for more details (Fig.4) Shut off power at the circuit breaker and remove the fixture from the wall.

- a. Un thread screws (E) and remove rubber washers (F). Disconnect wire connectors and place fixture body on a clean surface.
- b. Loosen screw (J) to separate base (H) from fixture body (K). (Use a screwdriver to gently pry along the edge if necessary) Carefully pull out the wires, then unfasten the quick connection buckle (I).
- c. For re-light the fixture, reverse step a-b for installing the new base (including LED module). Note: When installing the base, place the snap-fit (L) into the groove before pressing the base down.

This fixture is ETL listed for wet location applications.

**Dimmable with ELV and/or LED compatible wall dimmer switches.**

Fig. 1

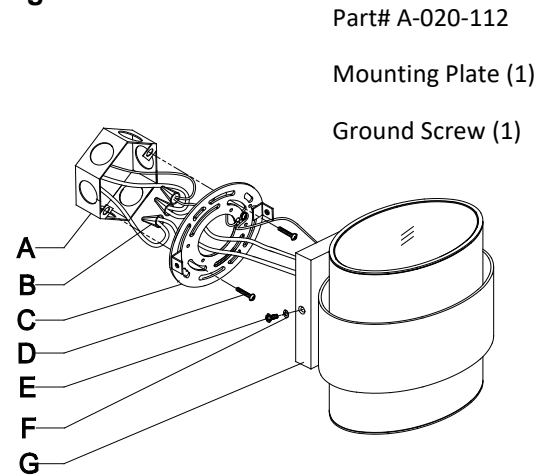


Fig.2

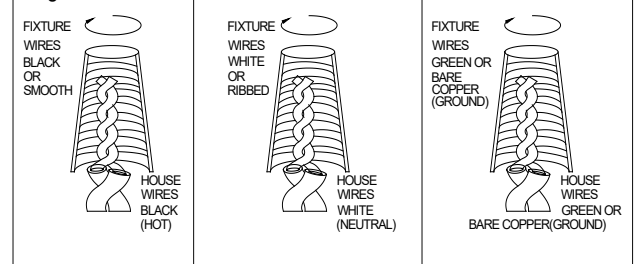


Fig. 3

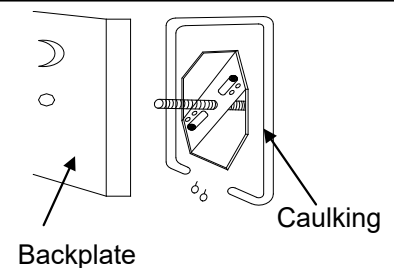


Fig. 4

