

# INSTALLATION INSTRUCTIONS

Model # 77601-899

READ AND SAVE THESE INSTRUCTIONS

**WARNING! SHUT POWER OFF AT FUSE OR CIRCUIT BREAKER.**

**AVERTISSEMENT! COUPER LE COURANT AU NIVEAU DES FUSIBLES OU DU DISJONCTEUR.**

## PREPARING FOR INSTALLATION (Fig. 1)

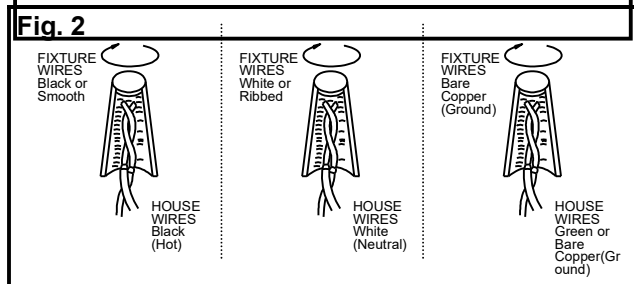
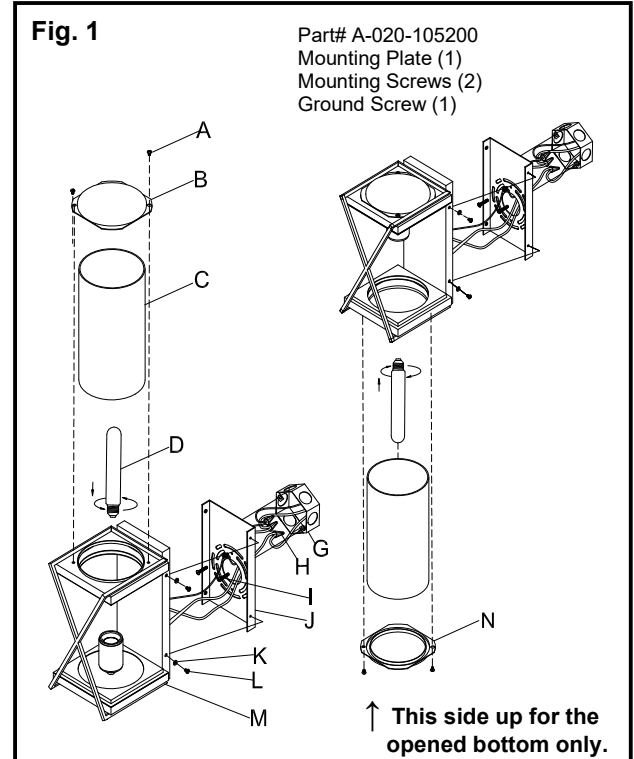
1. Shut off power at the fuse box or circuit breaker box and remove the old fixture including the mounting hardware.
2. Carefully unpack your new fixture and lay out all the parts in a clear area. Take care not to misplace any small parts necessary for installation.
3. Attach the mounting plate (J) to the outlet box (G) (Not included) with the outlet box screws (I). Note: the side of mounting plate marked "GND" must face out.

## CONNECTION THE WIRES (Fig. 2)

4. Connect the electrical wires as shown in Fig.2. Making sure that all wire connectors (H) are secured. If your outlet box (G) has a ground wire (green or bare copper), connect the fixture's ground wire to it. Otherwise, connect the fixture's ground wire directly to the mounting plate (J) using the green screw provided. Tuck the wire connectors neatly into the outlet box (G).

## FINISHING THE INSTALLATION (Fig.1)

5. Align the back plate of fixture body (M) onto mounting plate (J) and secure with rubber washers (K) and screws (L).
6. Unscrew the screws (A) and separate the top cover (B) from fixture body (M).
7. Install glass shade (C) into the holder of fixture body (M)
8. Install (1) one medium base bulb (D) up to 60 watts or CFL or LED equivalent (not included) in accordance with the fixture specification. **—DO NOT EXCEED THE MAXIMUM WATTAGE RATING! (NE PAS DEPASSER LA PUISSANCE NOMINALE MAXIMALE!)**
9. Align the top cover (B) onto fixture body (M) and secure with screws (A).
10. To prevent moisture from entering the outlet box (G) and causing a short, use clear silicone sealant to outline the outside of back plate where it meets the wall leaving a space at bottom to allow moisture a means to escape. (Fig .3)
11. **The light fixture can be installed with bulb downwards, just change to one optional bottom cover (N) with an opening allowing more light dispersion.**



Your installation is now complete. Return power to the outlet box and test the fixture.

**IMPORTANT: FIXTURE SHOULD BE INSTALLED BY A QUALIFIED ELECTRICIAN TO ENSURE PROPER WIRING AND INSTALLATION.**

