

# INSTALLATION INSTRUCTIONS

For Model 73359-757

READ AND SAVE THESE INSTRUCTIONS

**WARNING! SHUT POWER OFF AT FUSE OR CIRCUIT BREAKER.**

**AVERTISSEMENT! COUPER LE COURANT AU NIVEAU DES FUSIBLES OU DU DISJONCTEUR.**

## HANGING THE FIXTURE (Fig. 1)

1. Shut off power at the fuse box or circuit breaker box and remove the old fixture including the mounting hardware.
2. Carefully unpack your new fixture and lay out all the parts in a clean area. Take care not to misplace any small parts necessary for installation.
3. Thread two mounting screws (B) into the mounting plate (C) spaced the same distance apart as the holes in the fixture back plate. (You can adjust the length of the screws if necessary.)
4. Attach mounting plate (C) to outlet box (A) (not supplied) with outlet box screws (D). (Size: #8-32\*0.78"L). The side of the mounting plate marked "GND" must face out.
5. Separate the cage (N) by loosening two screws (J) & washers (K).
6. The support cable (E) is provided to support the weight of the fixture while wiring. Align the fixture to mounting plate (C) and attach hook (P) on the end of support cable (E) into a slot located on mounting plate (C). Carefully allow the support cable (E) to support the weight of the fixture while wiring (Fig.1)

## CONNECTING THE WIRES (Fig. 2).

7. Connect the electrical wires as shown in Fig.2. Making sure that all wire connectors are secured. If your outlet box (A) has a ground wire (green or bare copper), connect fixture's ground wire to it. Otherwise, connect fixture's ground wire directly to the mounting plate (C) using green screw provided.

## COMPLETING THE INSTALLATION (Fig.1)

8. Align the fixture back plate to mounting plate (C) and secure with cap nuts (F) & washers (G).
9. Insert caps (L) on the candle covers (M).
10. Install (4) four candelabra base bulbs (I) up to 60 watts or CFL or LED equivalent (not included) in accordance with the fixture specification. **(DO NOT EXCEED THE SPECIFIED WATTAGE!) (NE PAS DEPASSER LA PUISSANCE NOMINALE MAXIMALE!).**
11. Secure the cage (N) back to the fixture (H) with screws (J) & washers (K).
12. To prevent moisture from entering the outlet box (A) and causing a short, use clear caulking (i.e. Indoor/Outdoor Silicone Sealant) to outline the outside of fixture back plate where it meets the wall leaving a space at bottom to allow moisture a means to escape. (Fig. 3)

Your installation is now complete. Return power to the junction box and test the fixture.

Fig.1

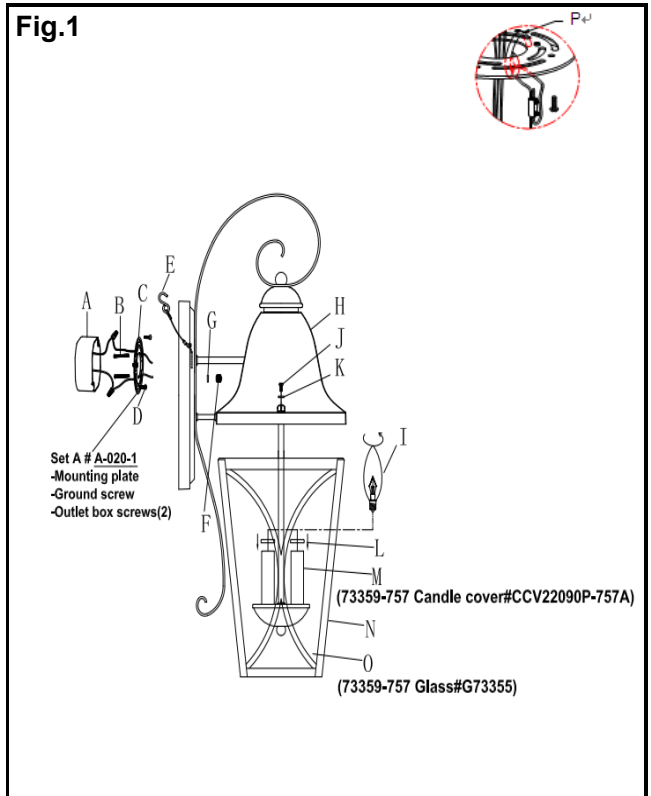


Fig. 2

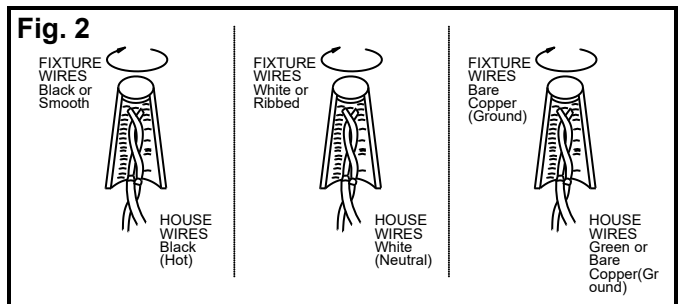


Fig. 3

