

INSTALLATION INSTRUCTIONS

For Model 73357-757

WARNING! SHUT POWER OFF AT FUSE OR CIRCUIT BREAKER.

AVERTISSEMENT! COUPER LE COURANT AU NIVEAU DES FUSIBLES OU DU DISJONCTEUR.

HANGING THE FIXTURE (Fig. 1)

1. Shut off power at the fuse box or circuit breaker box and remove the old fixture including the mounting hardware.
2. Carefully unpack your new fixture and lay out all the parts in a clean area. Take care not to misplace any small parts necessary for installation.
3. Separate cage (Q) by loosening two screws (O) & washers (P).
4. Insert caps (R) on the candle covers (S).
5. Install (4) four candelabra base bulbs (T) up to 60 watts or CFL or LED equivalent (not included) in accordance with the fixture specification. **(DO NOT EXCEED THE SPECIFIED WATTAGE!) (NE PAS DEPASSER LA PUISSANCE NOMINALE MAXIMALE!).**
5. Attach cage (Q) back to the top cover (N) and secure with two screws (O) & washers (P).
6. Place lock washer (E) over all thread (G), attached to crossbar (C), and thread hex nut (F) onto all thread (G) until tight. The length of all thread (G) may be adjusted if necessary. Take the crossbar assembly and mount to the outlet box (A) (not supplied) with outlet box screws (D) (Size: #8-32*0.78"L). Then secure loop (J) onto all thread (G) until tight. The side of the cross bar marked "GND" must face out.
7. Determine the desired hanging height and use a pair of proper chain pliers to remove and discard the excess chain. Attach one end of chain with quick link (L) to fixture loop (M).
8. Lace the fixture wires through the chain. Slip lock collar (K) over the chain followed by the canopy (I). Open the other last link of chain and attach to the loop (J) at the ceiling, then close the link. Feed the fixture wires through the loop (J) and all thread (G) and pull until taut.

CONNECTING THE WIRES (Fig. 2)

9. Connect the electrical wires as shown in Fig.2. Making sure that all wire connectors are secured. If your outlet box (A) has a ground wire (green or bare copper), connect fixture's ground wire to it. Otherwise, connect fixture's ground wire directly to the crossbar (C) using green screw provided.
10. Thread lock collar (K) to loop (J) and secure canopy (I) to the ceiling.

Your installation is now complete. Return power to the junction box and test the fixture.

Fig. 1

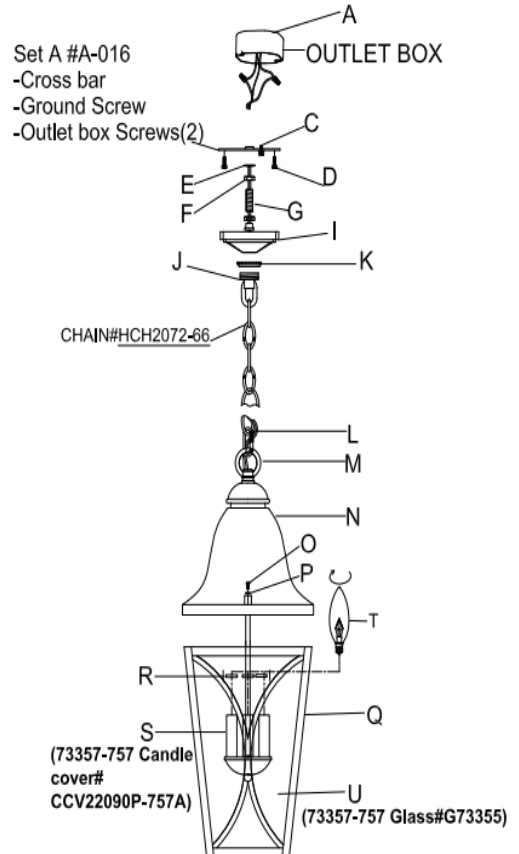
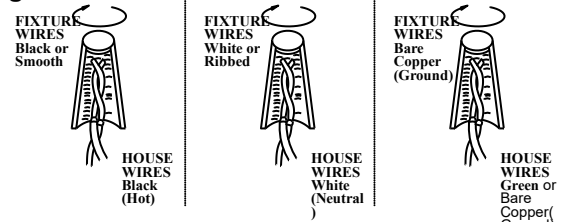


Fig. 2



Notice: It is important to use proper chain pliers (not included) To OPEN and CLOSE the chain included with this fixture. Do not open them with other tools that may twist or stress the chain links. It is important to use proper chain pliers like the ones shown in the diagram.

