

INSTALLATION INSTRUCTIONS

Model # 73215

READ AND SAVE THESE INSTRUCTIONS

WARNING! SHUT POWER OFF AT FUSE OR CIRCUIT BREAKER.

AVERTISSEMENT! COUPER LE COURANT AU NIVEAU DES FUSIBLES OU DU DISJONCTEUR.

PREPARING FOR INSTALLATION (Fig. 1)

1. Shut off the power at the fuse box or circuit breaker box and remove the old fixture, including the mounting hardware.
2. Carefully unpack your new fixture and lay out all the parts in a clear area. Take care not to misplace any small parts necessary for installation.
3. Attach mounting plate (A) using outlet box screws (B) to the outlet box (C) (not included).
Note: The side of the mounting plate (A) marked "GND" must facing out.
4. Loosen screw (U) to remove bottom frame (T) from fixture body. Insert clear glass panels (S) into channels (R) of top fixture body, then align to slots of bottom frame (T) and tighten with screw (U). (Fig.4)
5. The support cable is provided to support the weight of the fixture while wiring. Align the fixture to mounting plate (A) and attach hook on the end of support cable (L) into a slot located on mounting plate (A). Carefully allow the support cable (L) to support the weight of the fixture while wiring (Fig.1)

CONNECTING THE WIRES (Fig. 2)

6. Connect the electrical wires as shown in Fig.2. Make sure that all wire connectors are secured. If your outlet box (C) has a ground wire (green or bare copper), connect the fixture's ground wire to it. Otherwise, connect the fixture's ground wire directly to the mounting plate (A) using the green screw (E) provided.
7. Tuck the wire connectors neatly into the outlet box (C).

COMPLETING THE INSTALLATION (Fig. 1)

8. Align back plate (G) onto screws (D) and secure with silicone gasket (J) and cyliindroid nuts (H).
9. Attach (4) four square candle sleeves over the sockets then press them onto the bottom square bump.
10. Install (4) four candelabra base bulbs up to 60 watts or CFL or LED equivalent (not included) in accordance with the fixture specification. **DO NOT EXCEED THE MAXIMUM WATTAGE RATING! (NE PAS DEPASSER LA PUISSANCE NOMINALE MAXIMALE!)**
11. To prevent moisture from entering the outlet box (C) and causing a short, use clear silicone sealant (i.e. Indoor/Outdoor Silicone Sealant) to outline the outside of fixture back plate (G) where it meets the wall leaving a space at bottom to allow moisture a means to escape. (Fig.3)

“CAUTION-RISK OF FIRE CONSULT A QUALIFIED ELECTRICIAN TO ENSURE CORRECT BRANCH CIRCUIT CONDUCTOR”

ATTENTION – RISQUE D’INCENDIE. CONSULTER UN ÉLECTRICIEN QUALIFIÉ POUR VOUS ASSURER QUE LES CONDUCTEURS DE LA DÉRIVATION SONT ADÉQUATS.

Fig. 1

Part# A-021
 -Mounting Plate (1)
 -Grounding Screw (1)
 -Outlet Box Screws (2)

Candle Sleeve #
-CCV22225S-66A
 Glass#
 -G73215

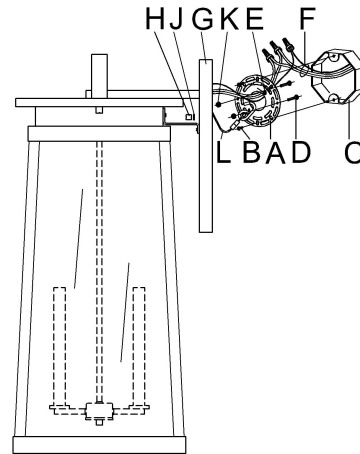


Fig.2

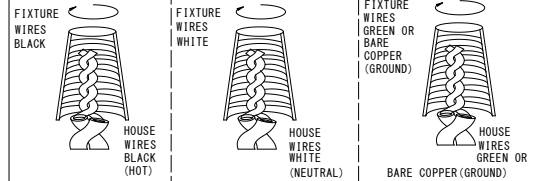


Fig. 3

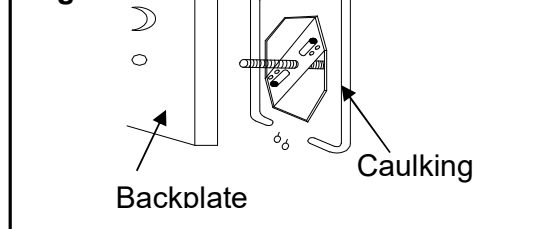


Fig.4

