

# INSTALLATION INSTRUCTIONS

Model # 72804

READ AND SAVE THESE INSTRUCTIONS

**WARNING! SHUT POWER OFF AT FUSE OR CIRCUIT BREAKER.**

**AVERTISSEMENT! COUPER LE COURANT AU NIVEAU DES FUSIBLES OU DU DISJONCTEUR.**

## PREPARING FOR INSTALLATION (Fig.1)

1. Shut off the power at the fuse box or circuit breaker box and remove the old fixture, including the mounting hardware.
2. Carefully unpack your new fixture and lay out all the parts in a clear area. Take care not to misplace any small parts necessary for installation.
3. Thread all thread (F) into loop (I) until snug.
4. Thread other end of all thread (F) into crossbar (B) and secure with hex nut (C). Note: The length of all thread (F) into crossbar (B) maybe adjusted if needed. Take crossbar assembly and mount to ceiling outlet box (A) (not included) with screws (D).  
Note: The side of the crossbar (B) marked "GND" must face out.

## HANGING THE FIXTURE (Fig.1)

5. Determine desired hanging height and remove excess chain with proper chain pliers to avoid damaging finish.
6. Thread loop (L) onto all thread (M) tightened. Open quick link (K) and connect to fixtures loop (L) and end of chain, then close quick link.
7. Slide lock ring (H) followed by canopy (G) over chain and allow them to carefully rest on fixture body.
8. Carefully lace fixture's wires through chain links.
9. Open the other end of chain (J) and attach it to ceiling loop (I) and close the link.
10. Feed wires through loop (I) and all thread (F).

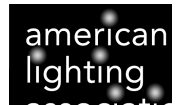
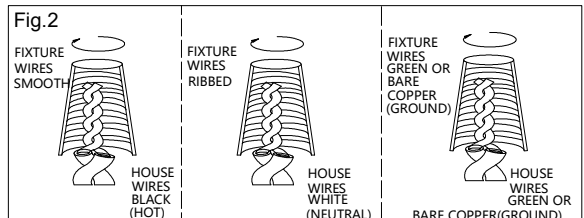
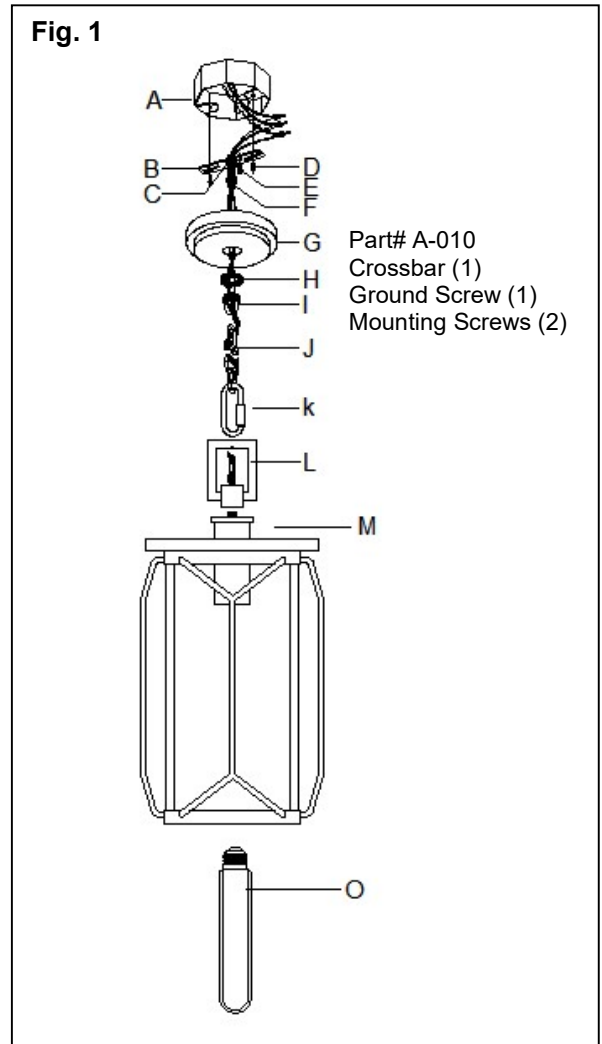
## CONNECTING THE WIRES (Fig.2)

11. Connect the electrical wires as shown in Fig. 2, making sure that all wire connectors are secured. If your outlet has a ground wire (green or bare copper), connect fixture's ground wire to it. Otherwise, connect fixture's ground wire directly to crossbar (B) using green screw (E) provided.
12. Tuck the wire connectors neatly into the outlet box.

## FINISHING THE INSTALLATION (Fig. 1)

13. Raise canopy (G) to ceiling and secure with lock ring (H).
14. Install (1) one medium base bulb (O) up to 60 watts or CFL or LED equivalent (not included) in accordance with the fixture specification. **DO NOT EXCEED THE MAXIMUM WATTAGE RATING! (NE PAS DEPASSER LA PUISSANCE NOMINALE MAXIMALE!)**

Your installation is now complete. Return power to the junction box and test the fixture.



**“CAUTION-RISK OF FIRE CONSULT A QUALIFIED ELECTRICIAN TO ENSURE CORRECT BRANCH CIRCUIT CONDUCTOR”**

**ATTENTION – RISQUE D'INCENDIE. CONSULTER UN ÉLECTRICIEN QUALIFIÉ POUR VOUS ASSURER QUE LES CONDUCTEURS DE LA DÉRIVATION SONT ADÉQUATS.**

Notice: It is important to use proper chain pliers (not included) to OPEN and CLOSE the chain included with this fixture. Do not open them with other tools that may twist or stress the chain links. It is important to use proper chain pliers like the ones shown in the diagram.