

# INSTALLATION INSTRUCTIONS

Model# 71269-66/ 71269-66-C

READ AND SAVE THESE INSTRUCTIONS

**WARNING! SHUT POWER OFF AT FUSE OR CIRCUIT BREAKER.**

**AVERTISSEMENT! COUPER LE COURANT AU NIVEAU DES FUSIBLES OU DU DISJONCTEUR.**

## PREPARING FOR INSTALLATION (Fig. 1)

1. Shut off power at the fuse box or circuit breaker box and remove the old fixture including the mounting hardware.
2. Carefully unpack your new fixture and lay out all the parts in a clear area. Take care not to misplace any small parts necessary for installation.
3. Position mounting plate (B) on wall and mark the location of the two holes on mounting plate where the plastic anchors (O) will be inserted. Drill holes into wall and insert plastic anchors (O).
4. Attach mounting plate (B) to outlet box (A) (not supplied) with outlet box screws (F). The side of mounting plate marked "GND" must face out. Then secure the two wood screws (P) into plastic anchors (O).
5. The support cable (R) is provided to support the weight of fixture while wiring. Align fixture to mounting plate (B) and attach the end of support cable (R) into a slot located on mounting plate (B). Carefully allow support cable (R) to support the weight of fixture while wiring (Fig. 1).

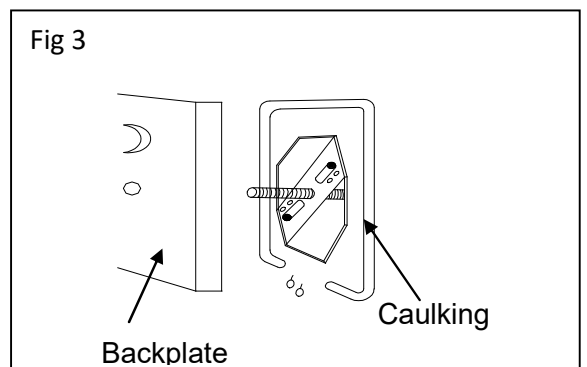
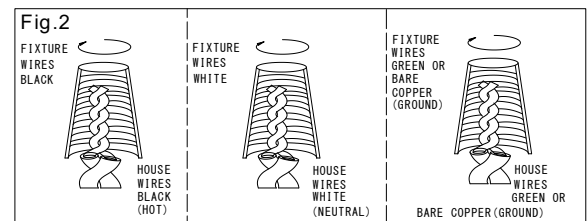
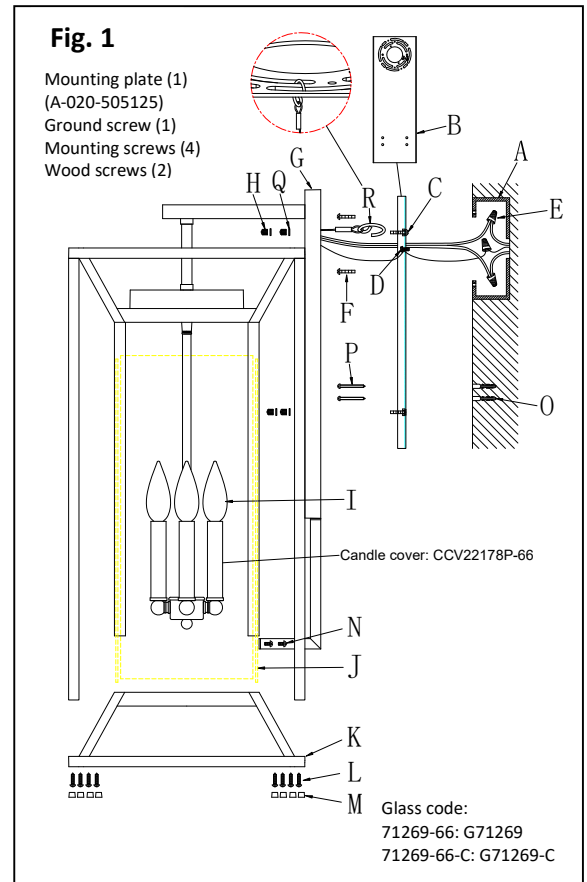
## CONNECTING THE WIRES (Fig. 2)

6. Connect the electrical wires as shown in Fig 2. with connectors (E), making sure that all wire connectors are secured. If your outlet box has a ground wire (green or bare copper), connect fixture's ground wire to it. Otherwise, connect fixture's ground wire directly to mounting plate (B) using green screw (D) provided.
7. Tuck wire connections neatly into outlet box.

## FINISHING THE INSTALLATION (Fig. 1)

8. Place back plate (G) over mounting screws (C, 4pcs), follow by rubber gasket (Q), then secure to wall using cap nuts (H, 4pcs). (Fig 1)
9. To prevent moisture from entering outlet box (A) and causing a short, use clear silicone sealant to outline the outside of fixture back plate (G) where it meets the wall leaving a space at bottom to allow moisture a means to escape (Fig.3)
10. To replace glass, remove gaskets (M, 8pcs) and loosen screws (L, 8pcs) to remove lower cover (K). Insert new glass (J) into fixture frame from the bottom. Secure lower cover (K) with screws (L, 8pcs) until tight and re-installing gaskets (M, 8pcs) on lower cover (K).
11. Install (4) four candelabra base bulbs (I) up to 40 Watts, or CFL or LED equivalent (not included), in accordance with the fixture specification. (DO NOT EXCEED THE MAXIMUM WATTAGE RATING) (NE PAS DEPASSER LA PUISSANCE NOMINALE MAXIMALE!)
12. This fixture is ETL listed for wet location applications.

Your installation is now complete. Return power to the outlet box and test the fixture.



**“CAUTION-RISK OF FIRE CONSULT A QUALIFIED ELECTRICIAN TO ENSURE CORRECT BRANCH CIRCUIT CONDUCTOR”**

**ATTENTION - RISQUE D'INCENDIE, CONSULTER UN ÉLECTRICIEN QUALIFIÉ POUR VOUS ASSURER QUE LES CONDUCTEURS DE LA DÉRIVATION SONT ADÉQUATS.**