

# INSTALLATION INSTRUCTIONS

Item #6991-271/6992-271/6993-271/6994-271 (05/08/2014)

## READ AND SAVE THESE INSTRUCTIONS

**WARNING! SHUT POWER OFF AT FUSE OR CIRCUIT BREAKER.**  
**AVERTISSEMENT! COUPER LE COURANT AU NIVEAU DES FUSIBLES OU DU DISJONCTEUR.**

### MOUNTING THE FIXTURE (Fig.1)

1. Shut off the power at the fuse box or circuit breaker. If necessary, remove the existing fixture and its mounting hardware from the wall.
2. Carefully remove the new fixture from the carton and check that all parts are included as shown in the illustration.
3. Thread the two mounting screws (C) half way into the pre-drilled holes in the mounting plate (A) spaced the same distance apart as the holes in the fixture back plate (D).
4. Attach mounting plate (A) to the junction box using the screws (B) (Size: #8-32\*0.5L). The side of the mounting plate marked "GND" must face out.

### CONNECTING THE WIRES (Fig. 2)

5. At this point, connect the electrical wires as shown in Fig. 2, making sure that all wire connectors are secured. If your outlet box has a ground wire (green or bare copper), connect the fixture's ground wire to it. Otherwise, connect the fixture's ground wire directly to the mounting plate using the green screw provided. After the wires are connected, tuck them carefully inside the outlet box.

### FINISHING THE INSTALLATION (Fig.1)

6. Place fixture back plate (D) over the two mounting screws (C) and secure with ball nuts (E).
7. Place crystal cap (F) and glass shade (G) over socket.
8. Place cap (H) over socket and secure with socket ring (J) using the wrench (provided).
9. Install the bulb (K) in accordance with the fixture's specifications. **(DO NOT EXCEED THE MAXIMUM WATTAGE RATING!) (NE PAS DEPASSER LA PUISSANCE NOMINALE MAXIMALE!)**
10. Install the decorative bulb cover (L). (Note: bulb cover (L) to be used with Xenon bulbs only, not intended for use with Halogen bulbs.)

Your installation is now complete. Return power to the junction box and test the fixture.

**Note: Illustration on this manual is for installation purposes only. It may or may not be identical to the fixture purchased. Do not clean your light fixture or parts with water or cleanser.**

Fig.1

Set A-020  
-Mounting plate  
-Ground screw  
-Mounting screws (2)

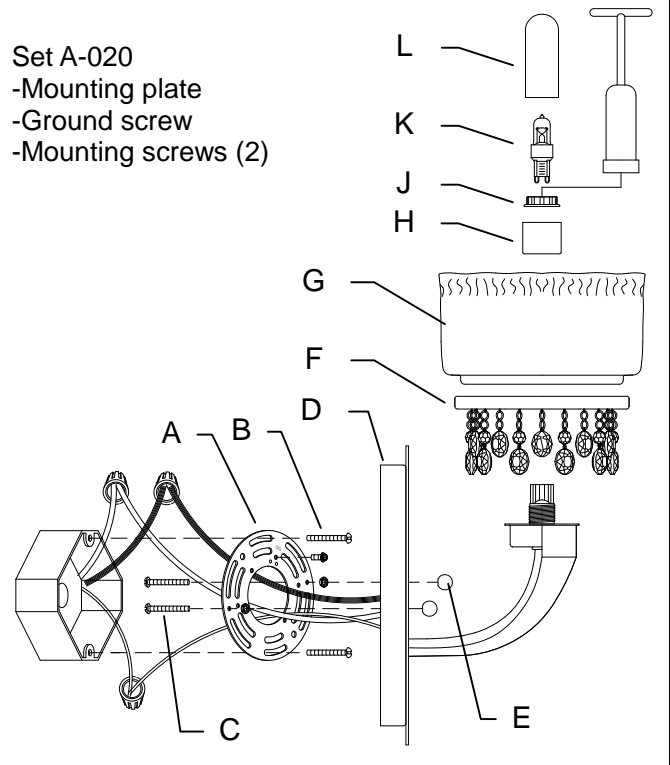
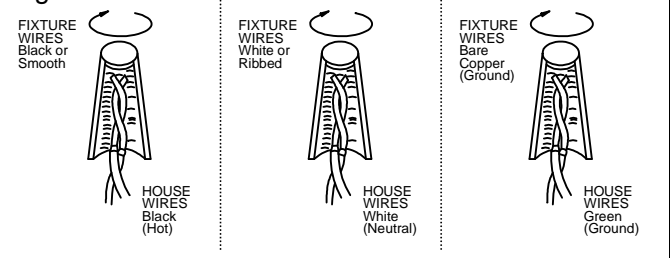


Fig.2



**CAUTION – RISK OF FIRE. CONSULT A QUALIFIED ELECTRICIAN TO ENSURE CORRECT BRANCH CIRCUIT CONDUCTOR. MIN 75°C SUPPLY CONDUCTORS.**