

# INSTALLATION INSTRUCTIONS

Item# 6703-66 (New. 2023/07/30)

## READ AND SAVE THESE INSTRUCTIONS

**WARNING! SHUT POWER OFF AT FUSE OR CIRCUIT BREAKER.**

**AVERTISSEMENT! COUPER LE COURANT AU NIVEAU DES FUSIBLES OU DU DISJONCTEUR.**

### MOUNTING THE FIXTURE (Fig.1)

1. Shut off the power at the circuit breaker and remove the old fixture, including the mounting hardware.
2. Carefully unpack your new fixture and lay out all the parts on a clean area. Take care not to lose any small parts necessary for installation.
3. Thread stem (J) to fixture (K), then install metal ring (I) onto stem (J).
4. Thread rod (H) to metal ring (I), then attach canopy (F) by threading onto rod (H) as shown in (Fig.1)
5. Thread canopy screws (C) into pre-drilled holes on mounting plate (A). Spaced same distance apart as holes in canopy (F), and secure with nuts (D) provided. The length of canopy screw (C) may be adjusted if necessary.
6. Attached mounting plate (A) to outlet box (Not included) using mounting screws (B) (Size: #8-32N\*L1"). The side of mounting plate (A) marked with "GND" must face out.
7. The support cable is provided to support the weight of fixture while wiring. Align fixture to mounting plate (A) and attach hook on end of support cable (E) into a slot located on mounting plate (A). Carefully allow support cable (E) to support weight of fixture while wiring (Fig.1).

### CONNECTING THE WIRES (Fig. 2)

8. Connect the electrical wires as shown in Fig.2, making sure that all wire connectors are secured. If your outlet has a ground wire (green or bare copper), connect fixture's ground wire to it. Otherwise, connect fixture's ground wire directly to mounting plate (A) using green screw provided.
9. Tuck the wire connectors neatly into outlet box.

### FINISHING THE INSTALLATION (Fig.1)

10. Raise canopy (F) over canopy screws (C) and secure with cap nuts (G).
11. Install (4) four candelabra base bulbs up to 60 watts each or CFL or LED equivalent (not included) in accordance with the fixture specification. — **DO NOT EXCEED THE MAXIMUM WATTAGE RATING! (NE PAS DEPASSER LA PUISSANCE NOMINALE MAXIMALE!**
12. Hook stone strings (A3) and crystal strings (B3) to second tier of metal ring (I) cyclically.
13. Hook stone string (A3) and crystal strings (B3) to first tier of metal ring (I) cyclically (Fig.1).

Your installation is now complete. Return power to outlet box and test the fixture.

Fig. 1

Candle Cover#

- Set#A-020  
-Mounting Screw \*2  
-Green Screw  
-Mounting Plate

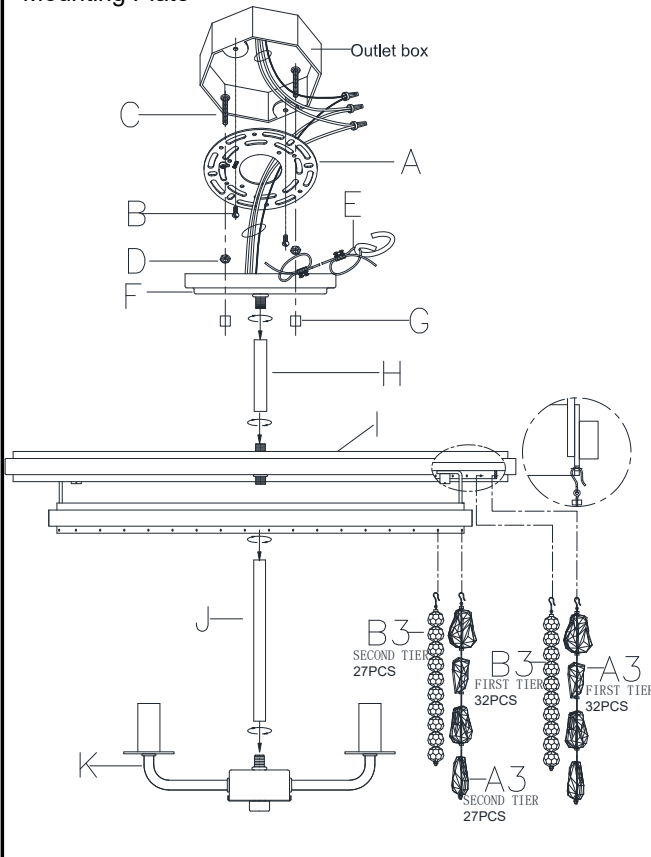
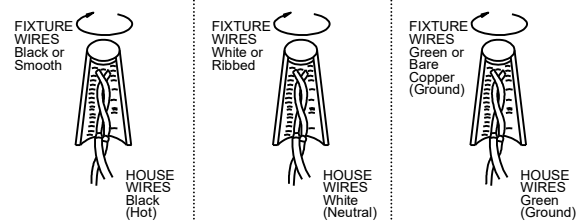


Fig. 2



**Note: Illustration (Fig.1) on this manual is for installation purposes only. It may or may not be identical to the fixture purchased.**