

# INSTALLATION INSTRUCTIONS

Item# 5716-876

## READ AND SAVE THESE INSTRUCTIONS

**WARNING! SHUT POWER OFF AT FUSE OR CIRCUIT BREAKER.**  
**AVERTISSEMENT! COUPER LE COURANT AU NIVEAU DES FUSIBLES OU DU DISJONCTEUR.**

1. Shut off power at the fuse box or circuit breaker box and remove the old fixture including the mounting hardware.
2. Carefully unpack your new fixture and lay out all the parts in a clean area. Take care not to misplace any small parts necessary for installation.

**ASSEMBLING THE FIXTURE (Fig.1)**

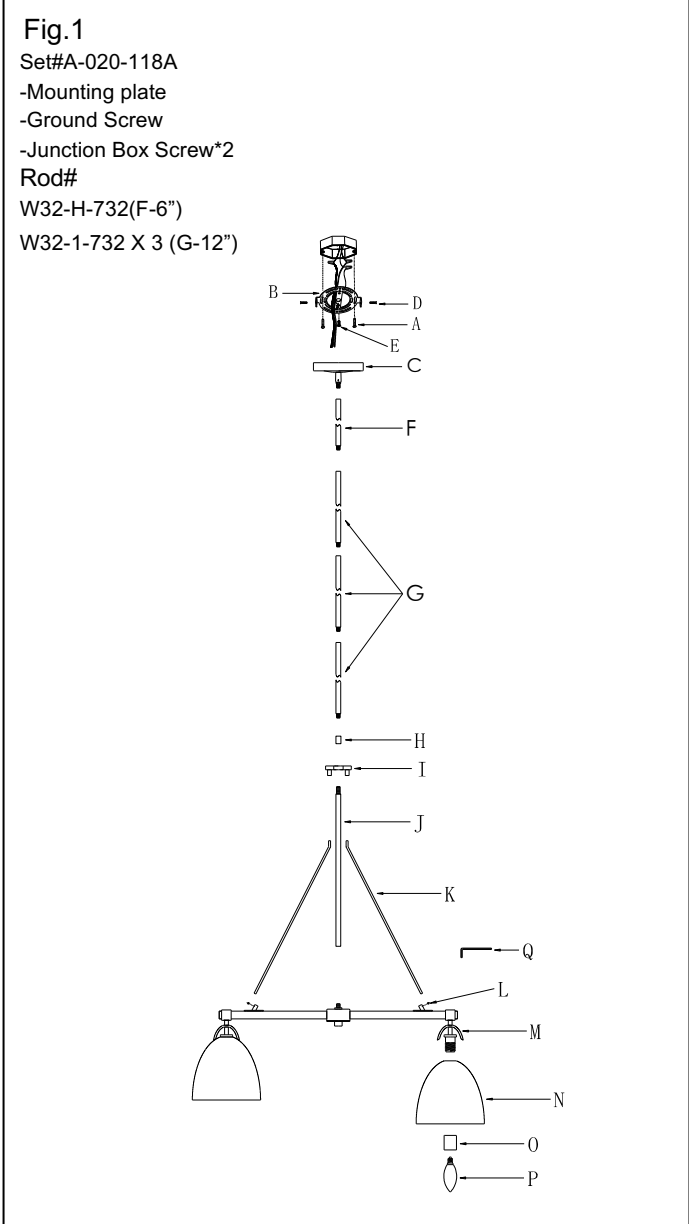
3. Unscrew the mounting screw (D) from the canopy (C) and detach the mounting plate (B).
4. Attach mounting plate (B) to junction box (not included) using junction box screw (A). The side of mounting plate (B) marked "GND" must face out.
5. Secure coupling rod (J) onto all thread at the top of fixture body (M). Pass wires carefully through the coupling rod (J). Insert arms (K) into the hole of the fixture body (M) secure with hexagon screws (L) by using hexagon screwdriver (Q) provided.
6. Attach the column (I) onto all thread at the top of coupling rod (J) and the same time insert the top of arms (K) into the bottom hole of the column (I). Secure the column (I) with coupling nut (H).
7. Determine desired hanging height and thread rods (G/F) on coupling nut (H). Pass wires carefully through each rod as you assemble.
8. Push fixture wires carefully through the swivel on canopy (C) and secure canopy (C) onto rods (G/F).

**CONNECTING THE WIRES (Fig. 2)**

9. Connect electrical wires as shown in Fig.2, making sure that all wire connectors are secured. If your junction box has a ground wire (green or bare copper), connect the fixture's ground wire to it. Otherwise, connect the ground wire directly to the mounting plate (B) using the green screw (E) provided.
10. Tuck wire connectors neatly into the junction box.

**COMPLETING THE INSTALLATION (Fig. 1)**

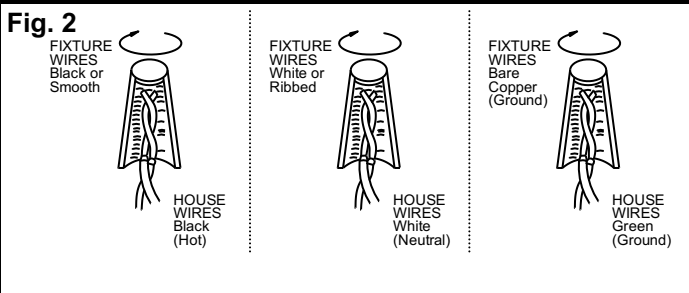
11. Position canopy (C) up against ceiling and thread mounting screw (D) to secure fixture to ceiling.
12. Screw glass shade (N) over the socket in the fixture body (M) by using socket ring (O). Do not over tighten.
13. Install (6) six candelabra base bulbs (P) up to 60 watts each or CFL or LED equivalent (not included) in accordance with the fixture specification.  
**— DO NOT EXCEED THE MAXIMUM WATTAGE RATING! (NE PAS DEPASSER LA PUISSANCE NOMINALE MAXIMALE!).**



Your installation is now complete. Return power to the junction box and test the fixture.

**Note:** Illustration (Fig. 1) on this manual is for installation purposes only. It may or may not be identical to the fixture purchased.

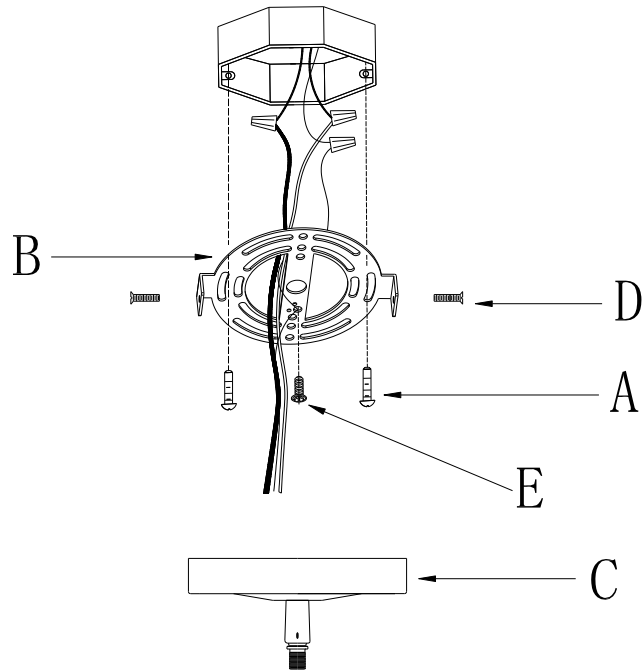
**IMPORTANT: FIXTURE SHOULD BE INSTALLED BY A QUALIFIED ELECTRICIAN TO ENSURE PROPER WIRING AND INSTALLATION.**



Notice: The fixture is over 10 lbs. Please remove all glasses before removing canopy from mounting plate to inspect wire connections in the future. This will allow you to hold the fixture body during wire connection or inspection or fixture removal.

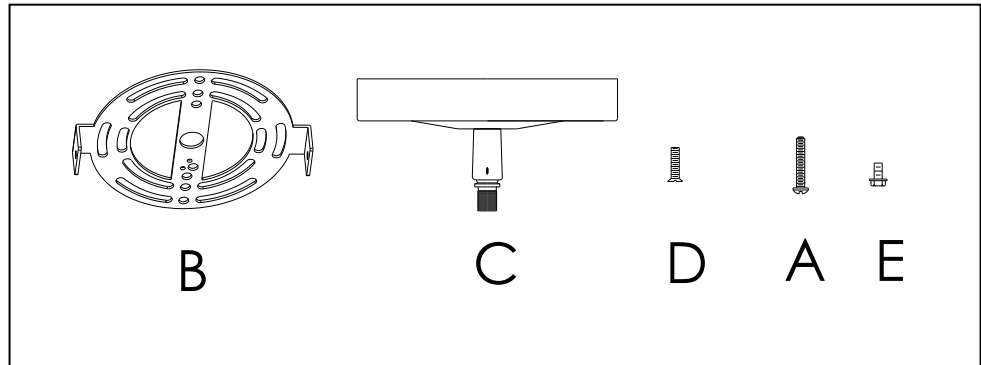


**Fig.3**



**a. Hardware Bag:**

- A. Junction Box Screw\*2
- B. Mounting plate\*1
- C. Canopy \*1
- D. Mounting screw\*2
- E. Ground screw\*1



**b. Hardware Bag:**

- G. ROD 12"\*3
- F. ROD 6"\*1
- Q.Hexagon screwdriver\*1

