

# INSTALLATION INSTRUCTION

Item# 5686

## READ AND SAVE THESE INSTRUCTIONS

**WARNING! SHUT POWER OFF AT FUSE OR CIRCUIT BREAKER .**  
**AVERTISSEMENT! COUPER LE COURANT AU NIVEAU DES FUSIBLES OU DU DISJONCTEUR.**

### PREPARATION

1. Shut off the power at the fuse box or circuit breaker box. If necessary, remove the old fixture and all mounting hardware from junction box.
2. Carefully unpack your new fixture and lay out all the parts on a clear area. Take care not to lose any parts necessary for installation.

### ASSEMBLING THE FIXTURE(Fig.1)

3. Determine desired hanging height and thread rods (G, H, I, J) to the coupling (K). Then thread the swivel (F) of canopy (D) onto rod (G). Pass wires carefully through each rod, swivel (F) and canopy (D).

### MOUNTING THE FIXTURE (Fig.1)

4. Thread two mounting screws (C) (Size: #8-32\*1.2"L) into crossbar (A) spaced same distance apart as holes in canopy (D). Length of mounting screws (C) into crossbar (A) may be adjusted if necessary. Attach crossbar (A) to junction box (Not included) using junction box screws (B) (Size: #8-32\*0.6"). The side of crossbar (A) marked "GND" must face out.

### CONNECTING THE WIRES (Fig.2)

5. Connect the electrical wires as shown in Fig.2. Making sure that all wire connectors are secured. If your junction box has a ground wire (green or bare copper), connect the ground wires to it. Otherwise, connect the ground wire directly to the crossbar (A) using green screw provided.
6. After the wires are connected, tuck them neatly inside the junction box.

### COMPLETING THE INSTALLATION (Fig. 1)

7. Place canopy (D) over mounting screws (C) and secure with cap nuts (E).
8. Put the socket cap (M) onto the glass shade (P) and tighten it using the screws (N). Do not over tighten.
9. Place glass shade (P) with socket cap (M) over the socket (L) and secure with socket ring (O).
10. Install (1) one medium base bulb up to 60 watts each or CFL or LED equivalent (not included) in accordance with the fixture specification. **(DO NOT EXCEED THE SPECIFIED WATTAGE!) (NE PAS DEPASSER LA PUISSANCE NOMINALE MAXIMALE!)**

Fig.1

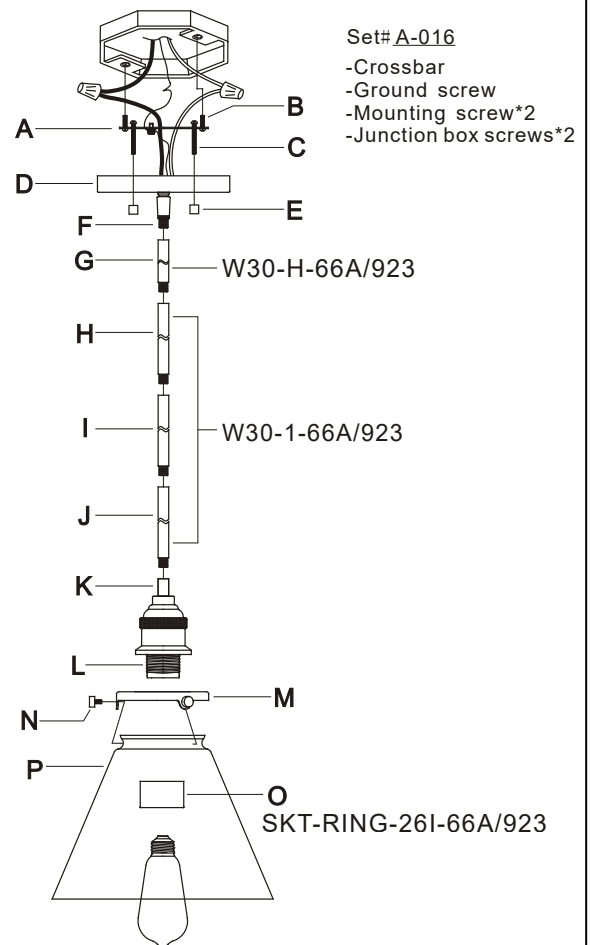
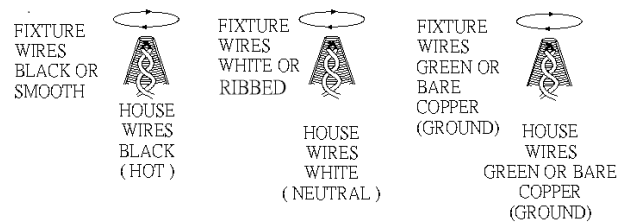
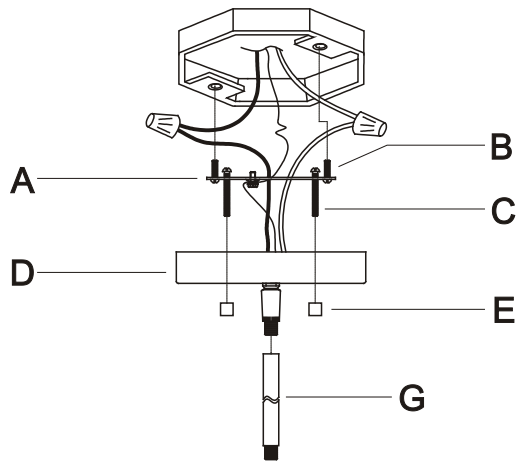


Fig.2



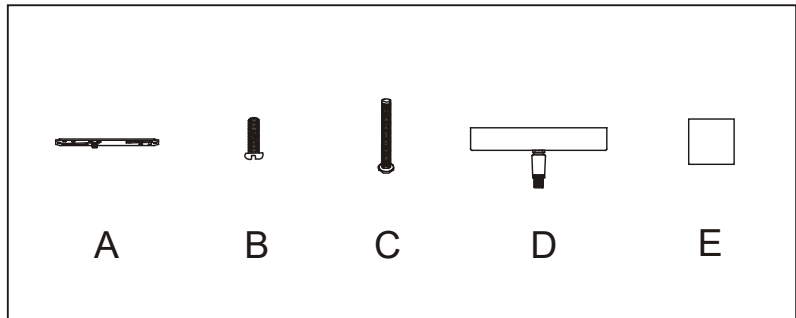
Your installation is now complete. Return power to the junction box and test the fixture.





**a. Hardware Bag:**

- A. Crossbar \*1
- B. Junction Box Screws \*2
- C. Mounting Screws \*2
- D. Canopy \*1
- E. Cap Nuts \*2



**b. Hardware Bag:**

- H, I, J. Rod 12" \*3
- G Rod 6" \*1

