

INSTALLATION INSTRUCTIONS FOR 5666-732

For LED ISLAND

READ AND SAVE THESE INSTRUCTIONS

WARNING! SHUT POWER OFF AT FUSE OR CIRCUIT BREAKER
AVERTISSEMENT! COUPER LE COURANT AU NIVEAU DES FUSIBLES OU DO DISJONCTEU

ASSEMBLING THE FIXTURE (Fig.1)

1. Shut off power at the fuse box or circuit breaker box. If necessary, remove the existing fixture and its mounting hardware.
2. Carefully unpack your new fixture and lay out all the parts in a clear area. Take care not to misplace any small parts necessary for installation.
3. Position the mounting plate (A) onto the ceiling and mark the location of the four drywall anchors (B). Pre-drill the holes for the drywall anchors (B) and insert the drywall anchors (B) into the ceiling.
4. Attach the mounting plate (A) to the junction box (not included) with mounting screws (D) (size:8-32*1/2"L). The side of the mounting plate marked "GND" must face out.
5. Place the wood screws (C) through the mounting plate (A) and lock them into the drywall anchors (B) to secure the mounting plate (A) to the wall.
6. There are a total of six pieces of glass. And a short piece of glass is combined with two long pieces (Short glass in the middle position). And there are two glass sets in total. Align the iron sheet (R) to glass (P&O). Make the three pieces of glass (P&O) parallel by gradually increasing the number of plastic washers (A1). Then secure them with screw (Q) through plastic washers (A1). The texture of the glass should face outward.
7. Insert two glass sets into the fixture (N) carefully and secure with screws (M) using the provided hex wrench (A1).
8. Fixture includes six 12" and two 6" rods. Determine desired hanging height and thread rods (K1/K2) to all thread (L). Feed fixture wire carefully through each rod. If installing with one 6" rod only the all thread must be removed.
9. Secure rods to the swivel (J).
10. Secure swivel (J) to canopy (I) with hex nut (F) through key washer (G).
11. The support cable is provided to support weight of fixture while wiring. Align fixture to mounting plate (A) and attach hook (Z) on end of support cable into a slot located on mounting plate (A). Carefully allow support cable to support weight of fixture while wiring.

CONNECTING THE WIRES (Fig.2)

12. Connect the electrical wires as shown in Fig.2, making sure that all wire connectors are secured. If your outlet has a ground wire (green or bare copper), connect the fixture's ground wire to it. Otherwise, connect the fixture's ground wire directly to the mounting plate using the green screw (E) provided. After the wires are connected, tuck them neatly into the outlet box.
13. Tuck wire connectors neatly into the junction box.

COMPLETING THE INSTALLATION

14. Raise canopy (I) to mounting plate (A) and secure with screw (H).

Your installation is now complete. Return power to the outlet box and test the fixture.

CAUTION /ATTENTION: When handling the fixture, do not apply pressure to the LEDs. Hold the fixture by the base only.

Replacing LED module (Fig. 3)

The LED module can be replaced by a qualified electrician without cutting of wire and without damage to any decorative element to which the fixture is attached. See installation steps for more details (Fig. 3)

Warning: Turn off power at the circuit breaker before replacing LED module.

- a. Loosen screws (M), then remove glass set from fixture (N).
- b. Loosen screws (Y), then remove the iron sheet (X) and diffuser (S).
- c. Disconnect the wire connector (T1/T2).
- d. Loosen screws (U) and plastic gasket (V), then carefully remove LED module (W).

- e. Reverse steps a-d for installing the new LED module.
- Note: The LED module should be provided by a specified supplier.

IMPORTANT: Fixture should be installed by a qualified electrician to ensure proper wiring and installation.

Dimmable with ELV and/or LED compatible wall dimmer switches.

Fig.1

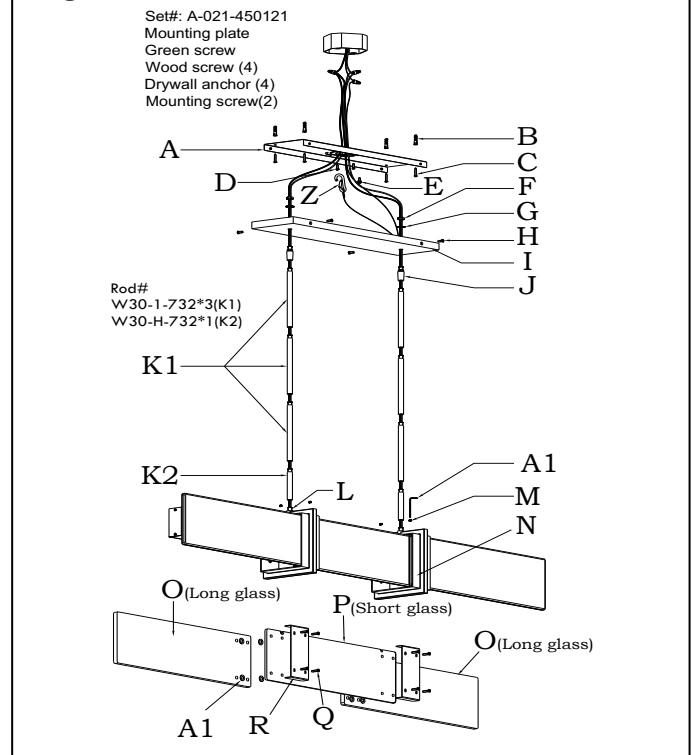


Fig.2

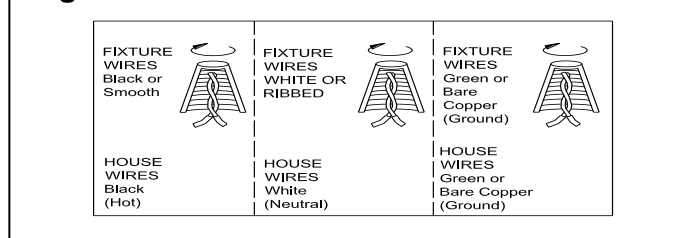


Fig.3

