

# INSTALLATION INSTRUCTIONS FOR 5662-732-L

## For LED WALL SCONCE

### READ AND SAVE THESE INSTRUCTIONS

**WARNING! SHUT POWER OFF AT FUSE OR CIRCUIT BREAKER.**

**AVERTISSEMENT! COUPER LE COURANT AU NIVEAU DES FUSIBLES OU DO DISJONCTEUR**

#### MOUNTING THE FIXTURE (Fig. 1)

1. Shut off power at the fuse box or circuit breaker box. If necessary, remove the existing fixture and its mounting hardware.
2. Carefully remove the new fixture from the carton and check that all parts are included as shown in the illustration.
3. Position the mounting plate (A) on the wall and mark the location of the two drywall anchors (D). Pre-drill the holes for the drywall anchors (D). Then insert the drywall anchors (D) into the wall.
4. Attach the mounting plate (A) to the junction box (not included) using mounting screws (C) (Size: 8-32\*1/2"L). The side of the mounting plate marked "GND" must face out.
5. Place the wood screws (E) through the holes of the mounting plate (A) and lock them into the drywall anchors (D) to secure the mounting plate (A) to the wall.
6. Align glass (J) and iron sheet (I) to the fixture (K) and secure with screws (H) through hole (M). Do not over tighten. The texture of the glass should face outward.
7. Insert the plug (L) into the hole (M).
8. The support cable is provided to support weight of fixture while wiring. Align fixture to mounting plate (A) and attach hook (S) on end of support cable into a slot located on mounting plate (A). Carefully allow support cable to support weight of fixture while wiring.

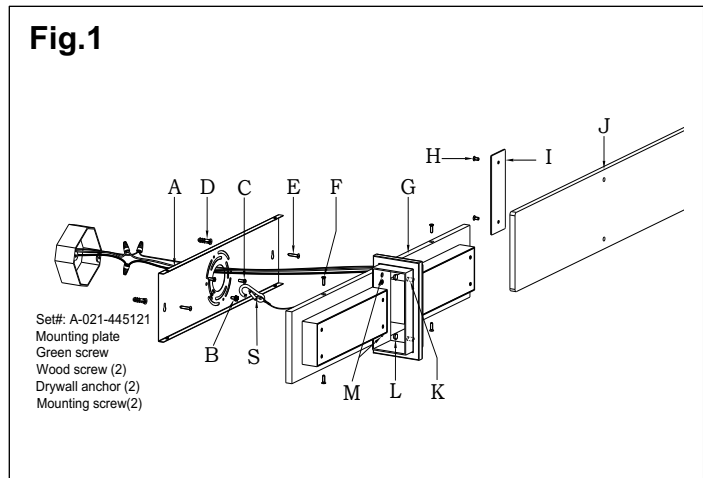
#### CONNECTION THE WIRES (Fig. 2)

9. Connect the electrical wires as shown in Fig.2, making sure that all wire connectors are secured. If your junction box has a ground wire (green or bare copper), connect the fixture's ground wire to it. Otherwise, connect the fixture's ground wire directly to the mounting plate using the green screw (B) provided.
10. Tuck wire connectors neatly into the junction box.

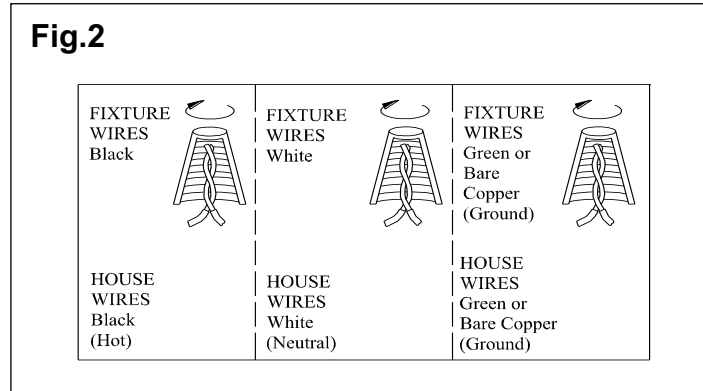
#### FINISHING THE INSTALLATION (Fig. 1)

11. Align Fixture body (G) over mounting plate (A) and secure with screws (F).

**Fig.1**



**Fig.2**



Your installation is now complete. Return power to the outlet box and test the fixture.

**CAUTION /ATTENTION:** When handling the fixture, do not apply pressure to the LEDs. Hold the fixture by the base or fixture body (G) only.

#### Replacing LED module (Fig. 3)

The LED module can be replaced by a qualified electrician without cutting of wire and without damage to any decorative element to which the fixture is attached. See installation steps for more details (Fig. 3)

**Warning: Turn off power at the circuit breaker before replacing LED module.**

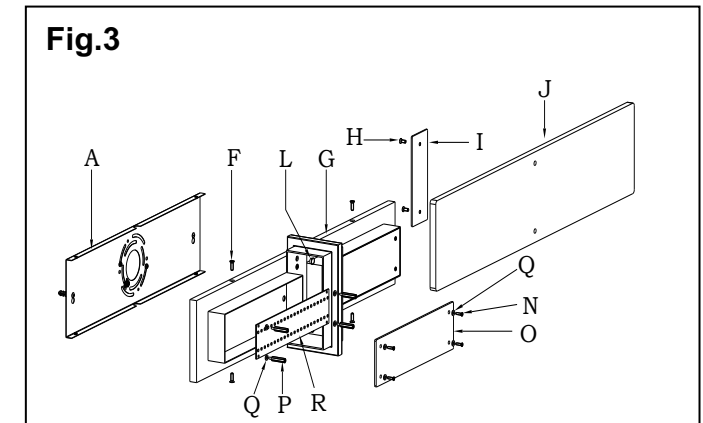
- a. Loosen screws (F), then remove the fixture body (G) and disconnect wire connectors.
- b. Remove the plug (L). Then loosen screws (H) and remove glass (J) and iron sheet (I).
- c. Loosen screws (N) and plastic gasket (Q), then remove the glass (O).
- d. Disconnect the wire using screwdriver (Not included) from wire connector. Then loosen studs (P) and plastic gasket (Q) and carefully remove LED module (R).
- e. Reverse steps a-d for installing the new LED module.

Note: The LED module should be provided by a specified supplier.

**IMPORTANT:** Fixture should be installed by a qualified electrician to ensure proper wiring and installation.

**Dimmable with ELV and/or LED compatible wall dimmer switches.**

**Fig.3**



**5662-732-L**